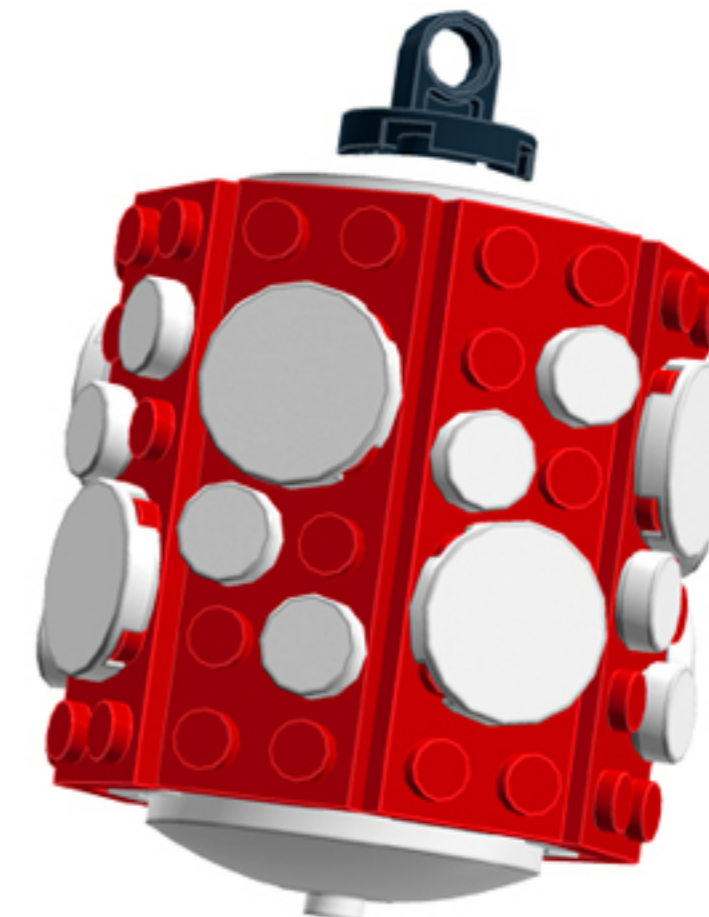


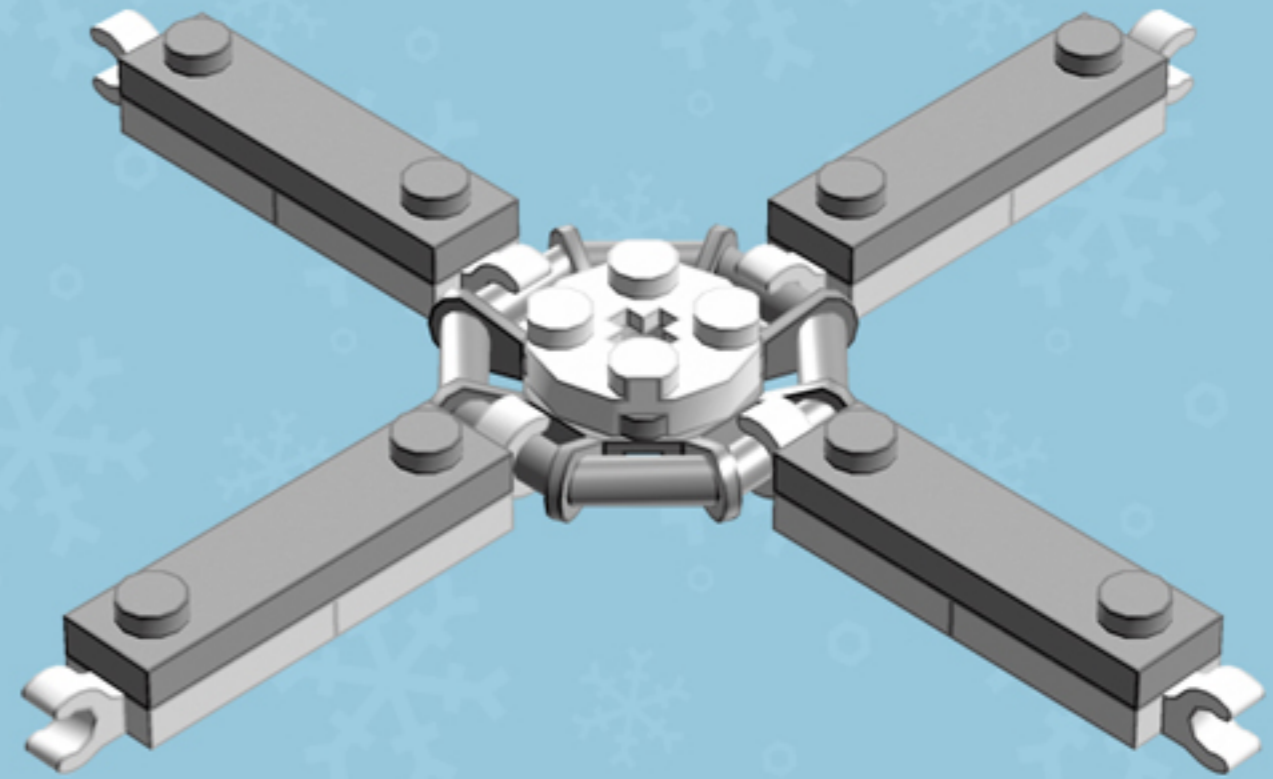
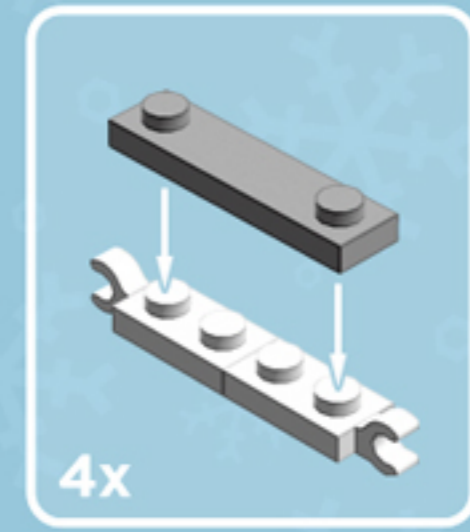
Red Flurry
Roller
ORNAMENT

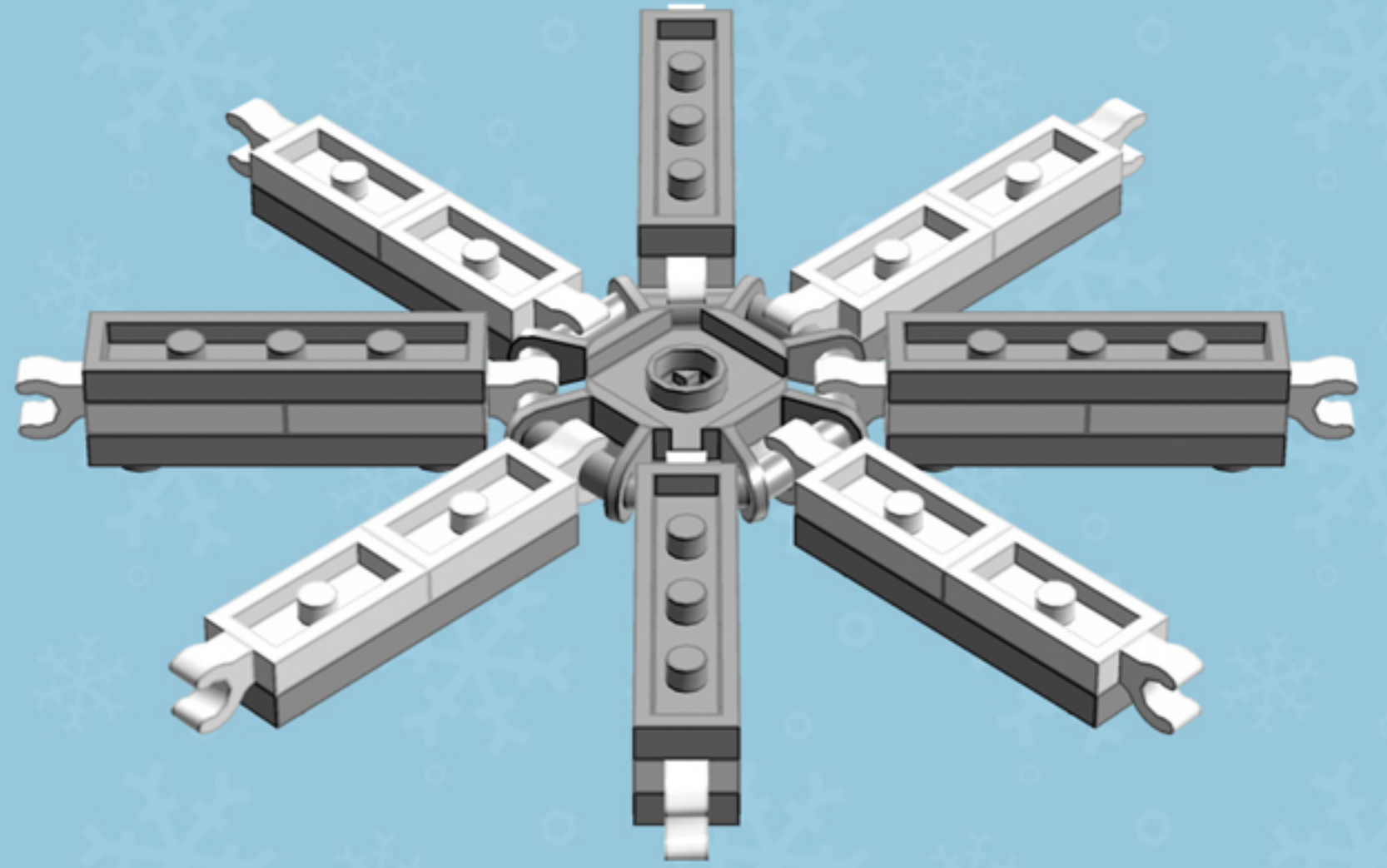
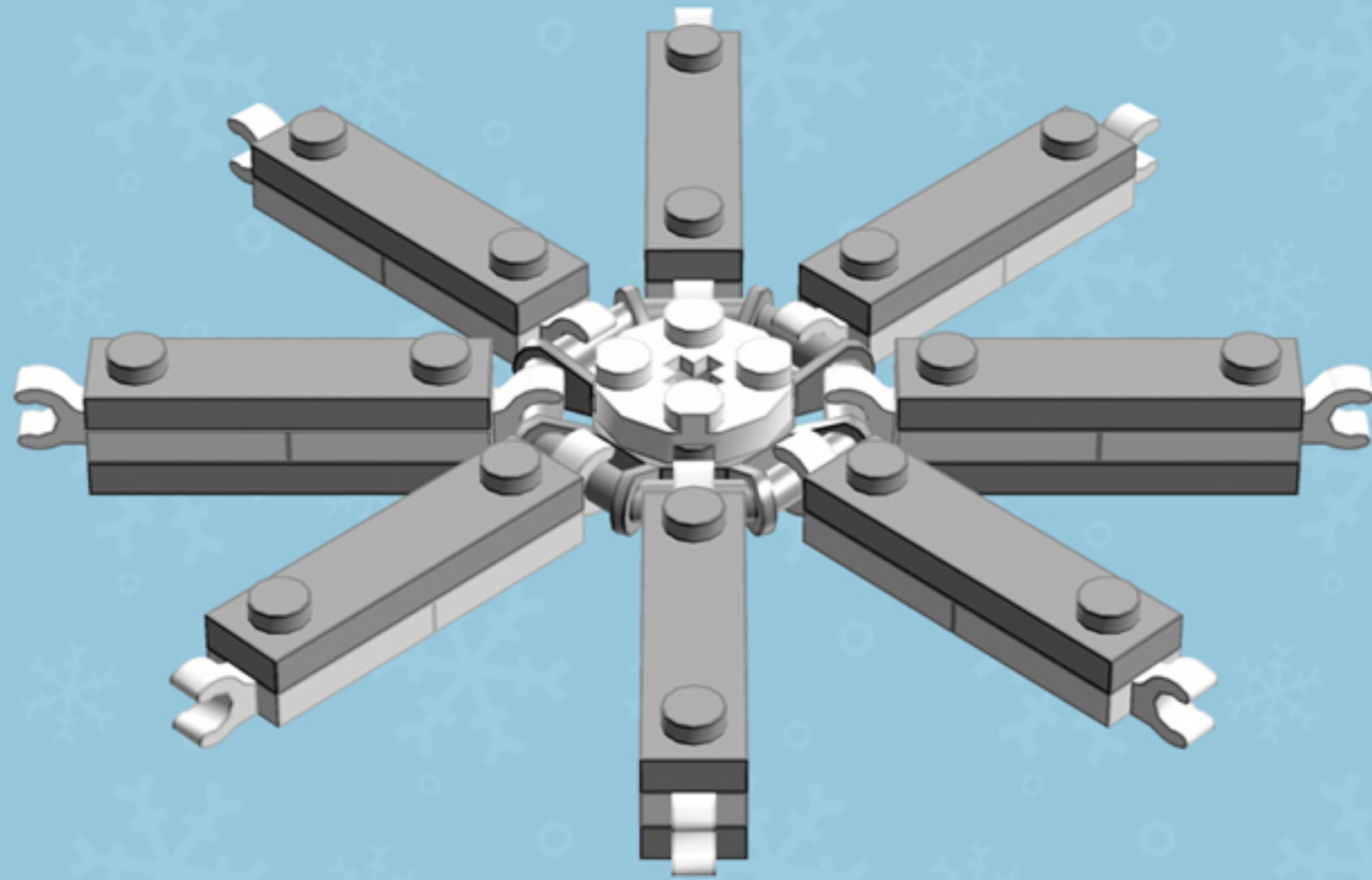
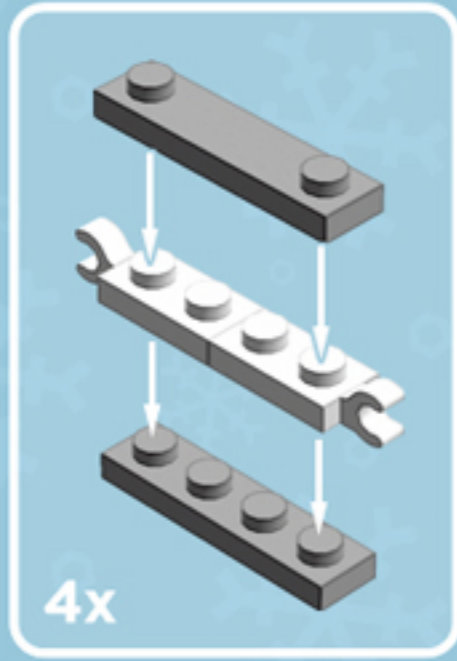
A LEGO® project by Chris McVeigh
chrismcveigh.com

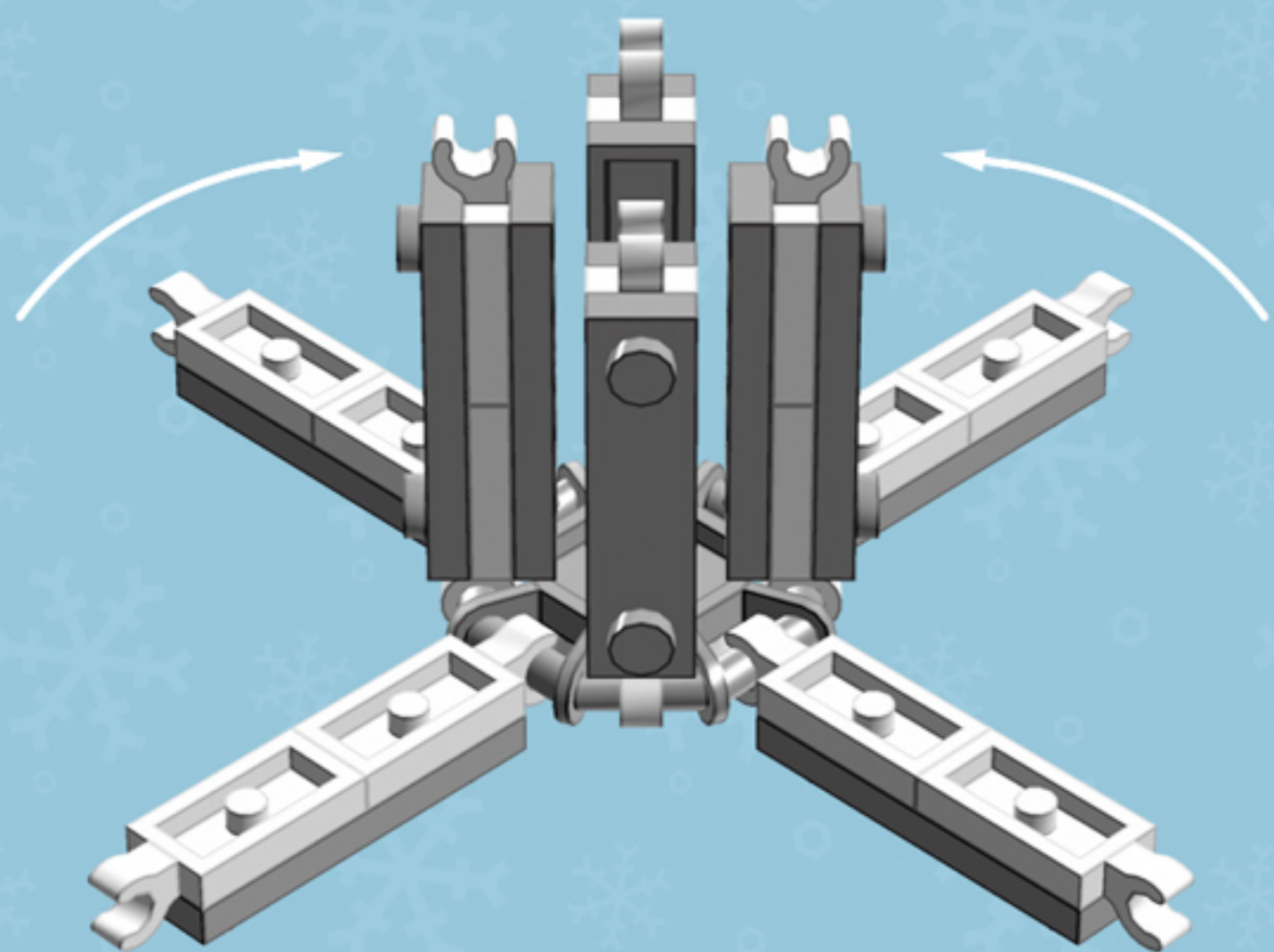


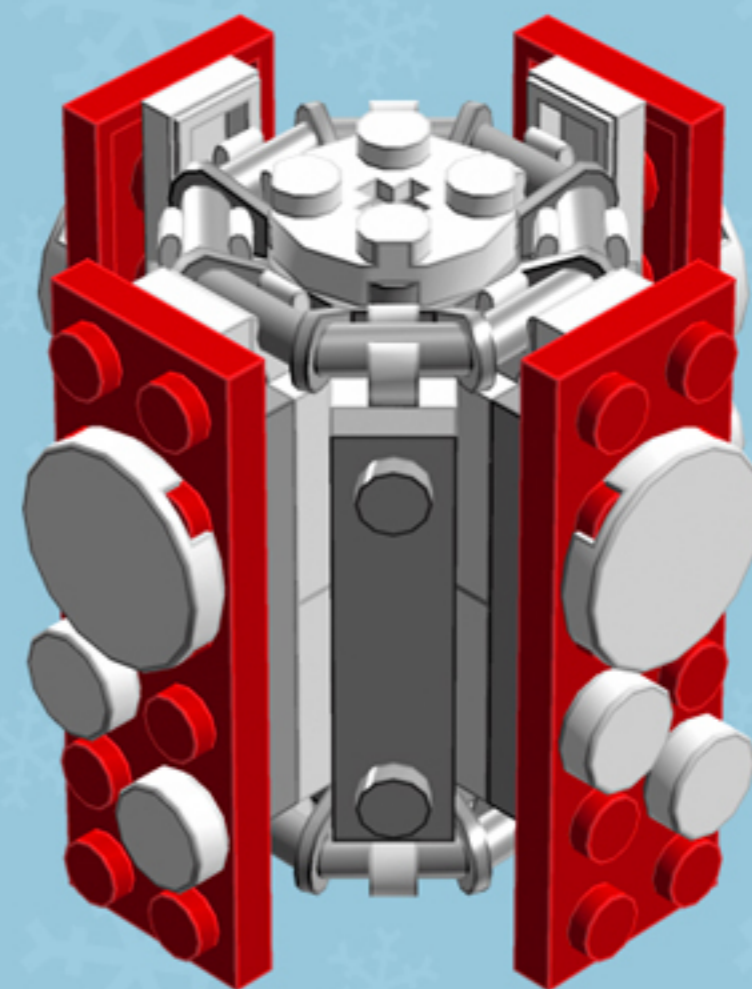
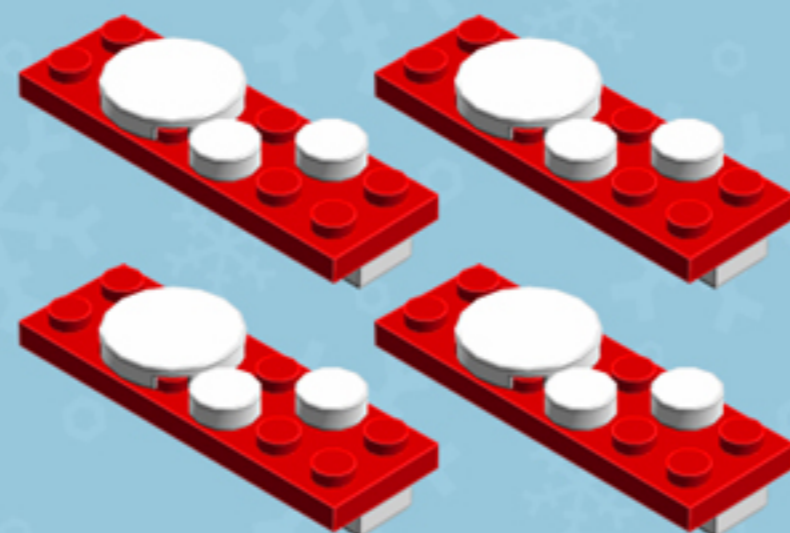
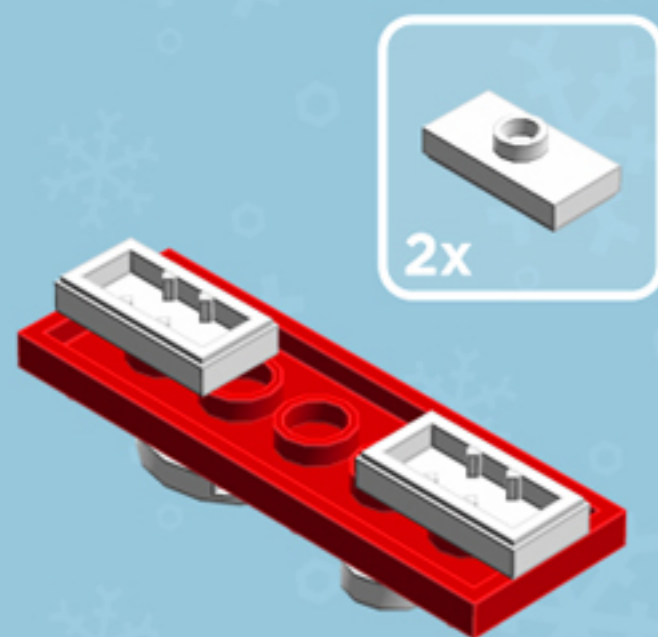
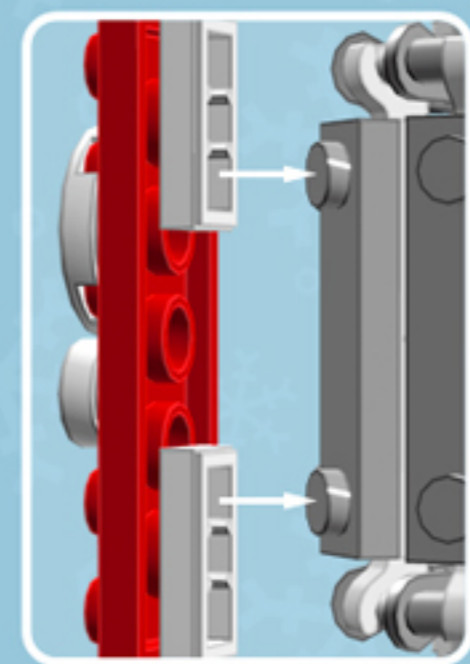
Element ID	Color	Description	Quantity
6010831	Black	Round Plate 2X2 W/Eye	1
4142865	Bright Red	2M Cross Axle W. Groove	2
379521	Bright Red	Plate 2X6	8
4211445	Medium Stone Grey	Plate 1X4	4
4599498	Medium Stone Grey	Plate 1X4 W. 2 Knobs	8
6020990	Silver Metallic	Parabolic Ring	2
4646844	White	Flat Tile 1X1, Round	16
415001	White	Flat Tile 2X2, Round	8
6051511	White	Plate 1X2 W. 1 Knob	16
4535737	White	Plate 2X1 W/Holder,Vertical	16
403201	White	Plate 2X2 Round	2
396001	White	Round Plate Ø32X6.4	2

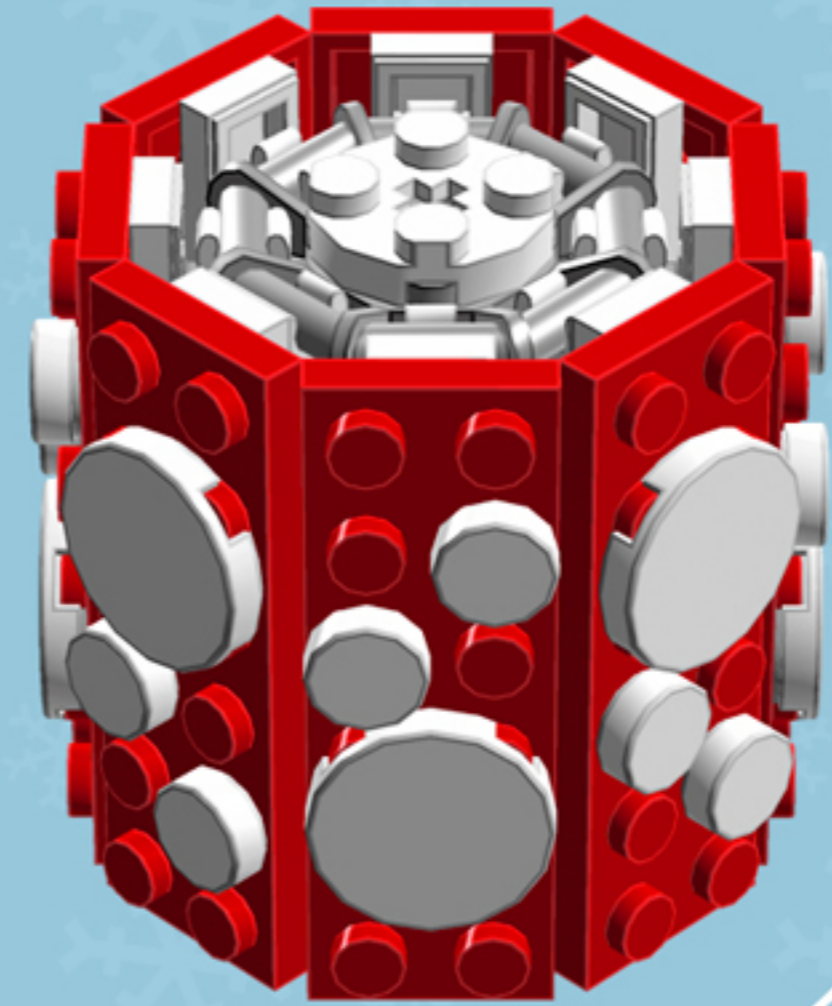
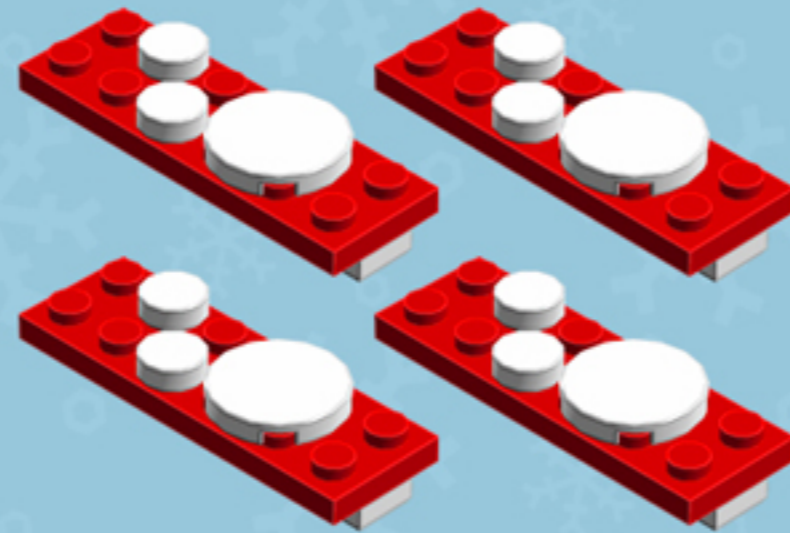
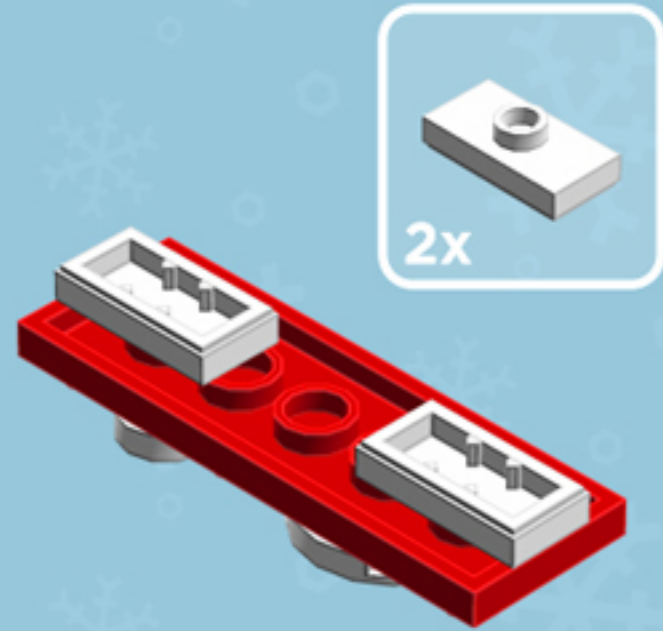
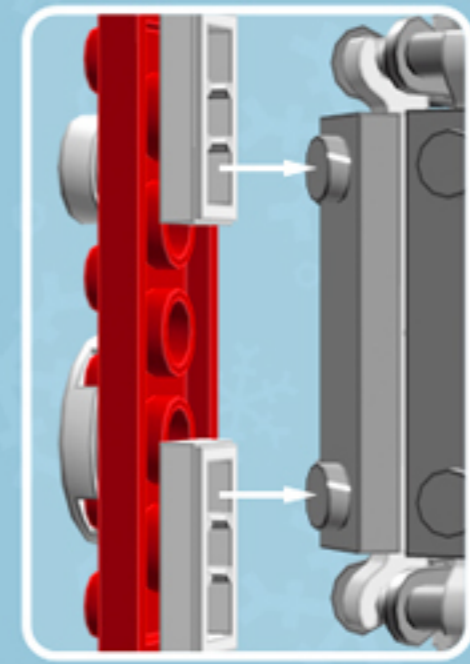




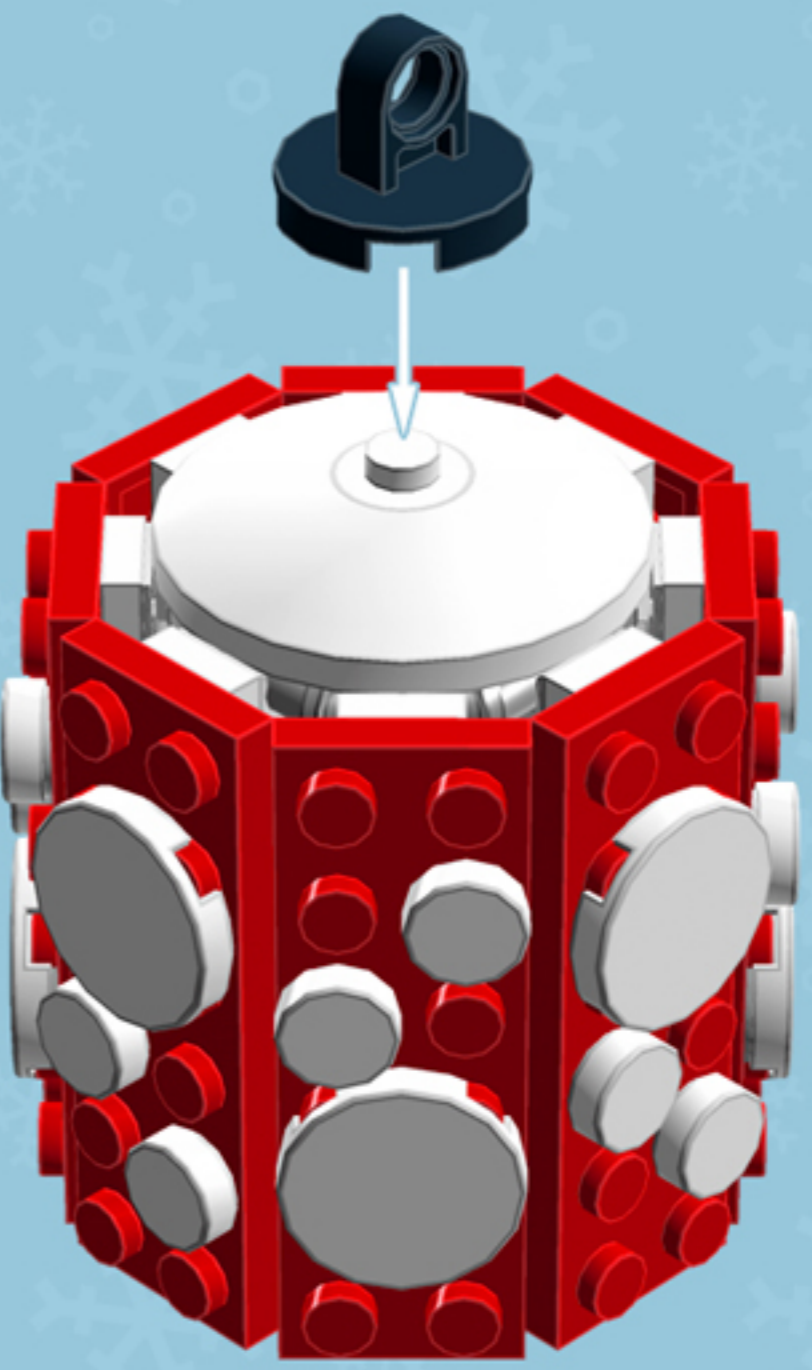
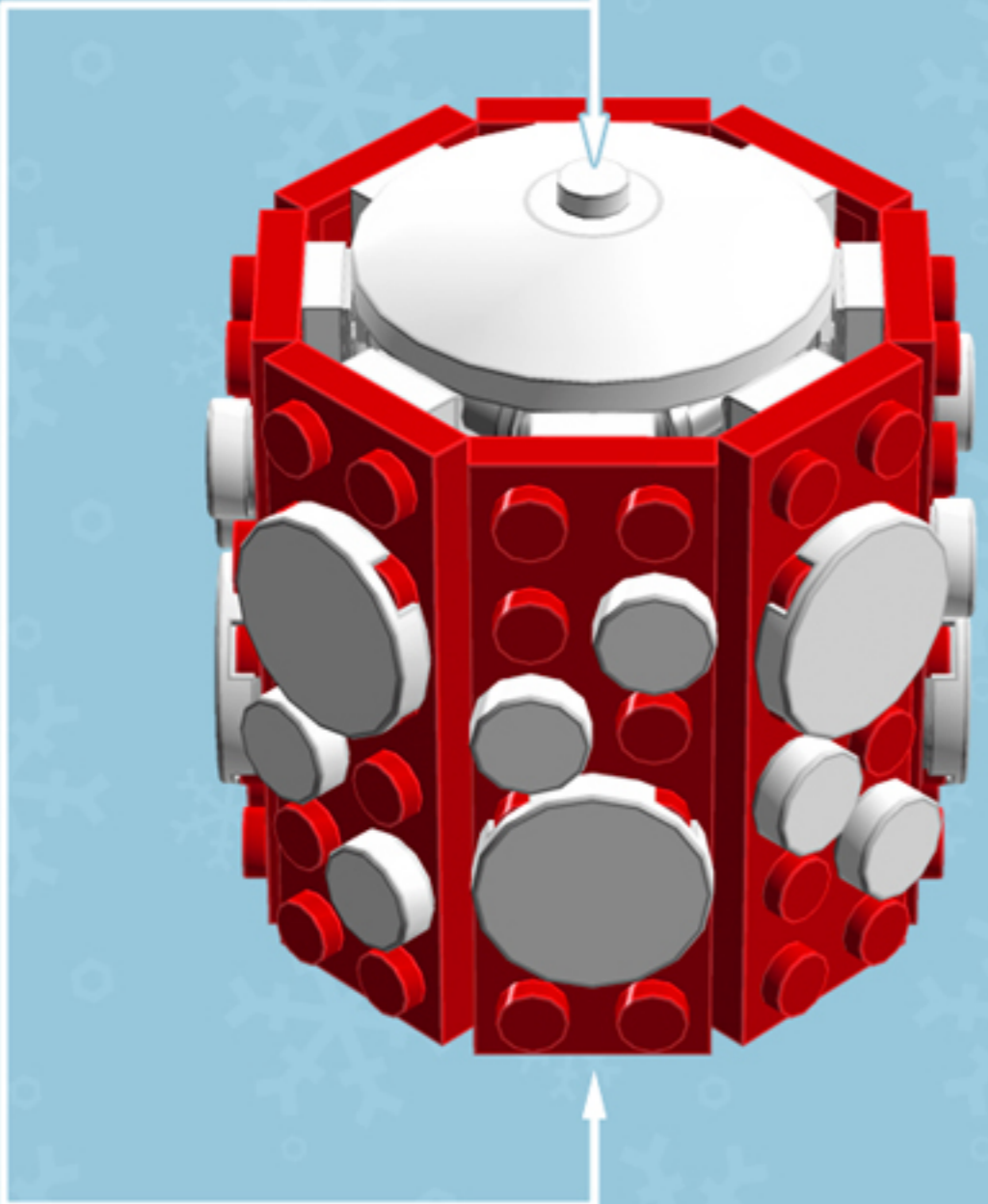








4x



***For more fun builds,
please pop by chrismcveigh.com,
visit me at facebook.com/c.mcveigh.photos,
or follow me on twitter [@actionfigured](https://twitter.com/actionfigured)***

Purchase custom building kits at shop.chrismcveigh.com

These building guides are for personal use only. Unauthorized duplication, distribution and/or modification of these guides, in whole or in part, is strictly prohibited. The models contained within these guides are the copyright of Chris McVeigh, unless otherwise stated. Unauthorized reproduction of these models for resale, either in whole or as a building kit, is strictly prohibited.

© 2015 CHRIS MCVEIGH

LEGO is a registered trademark of The LEGO Group.