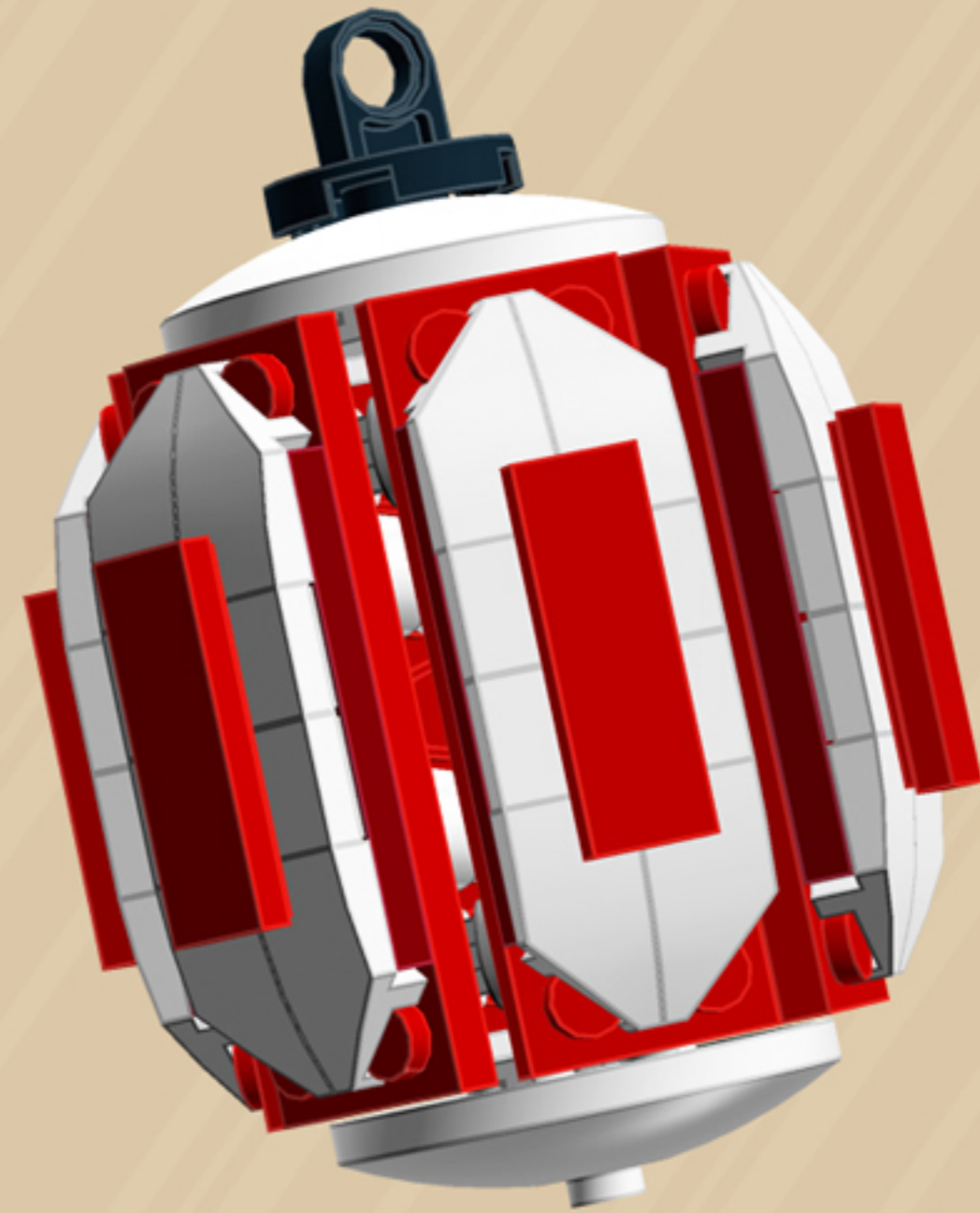


Coda

ORNAMENT

A LEGO® project by Chris McVeigh
chrismcveigh.com

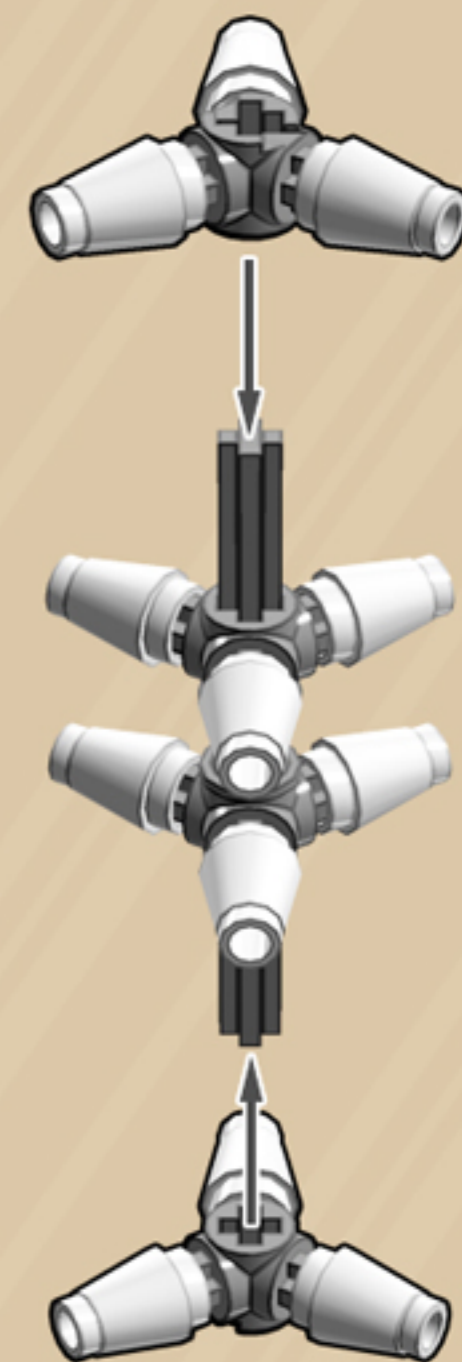
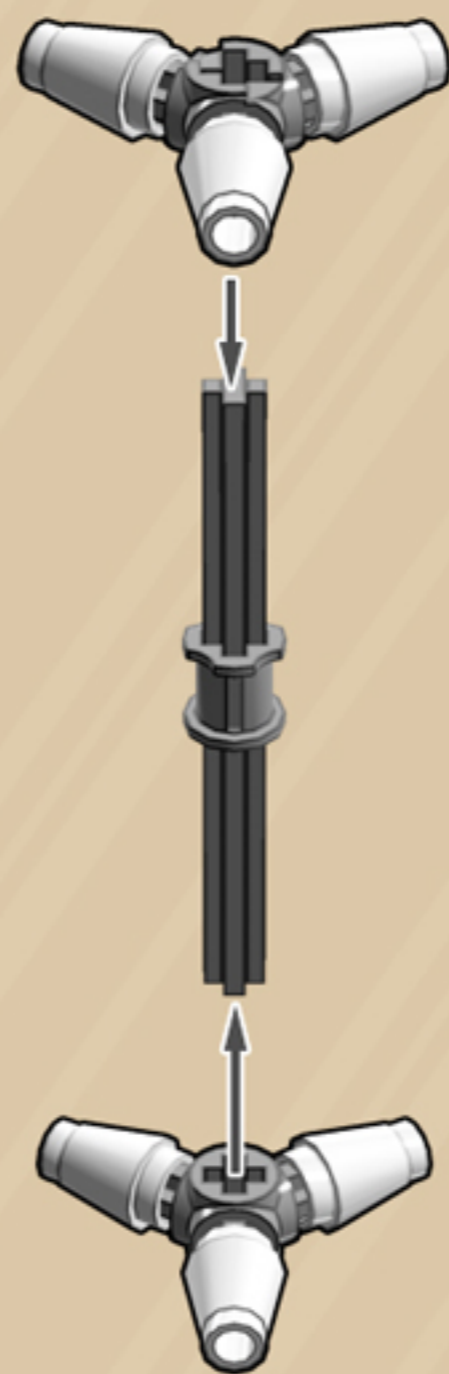
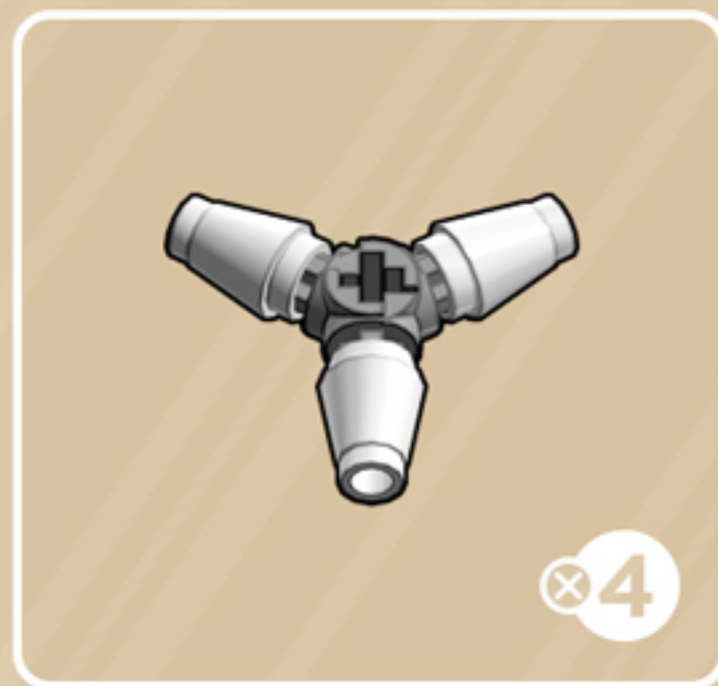
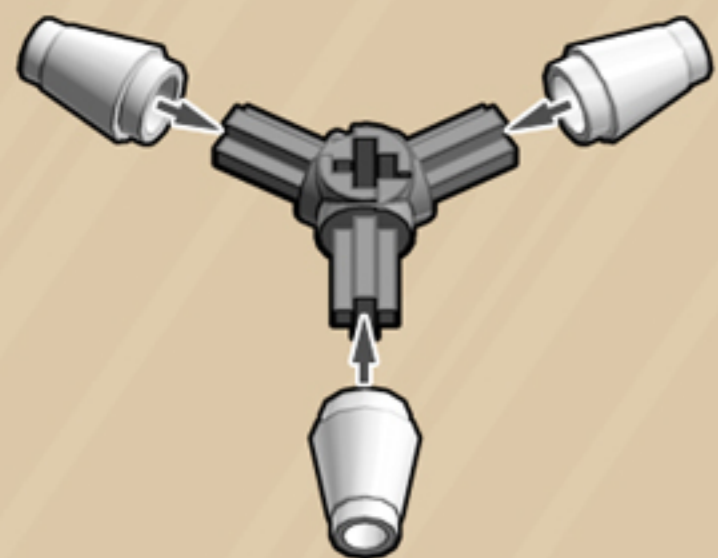
• RED RIBBON •





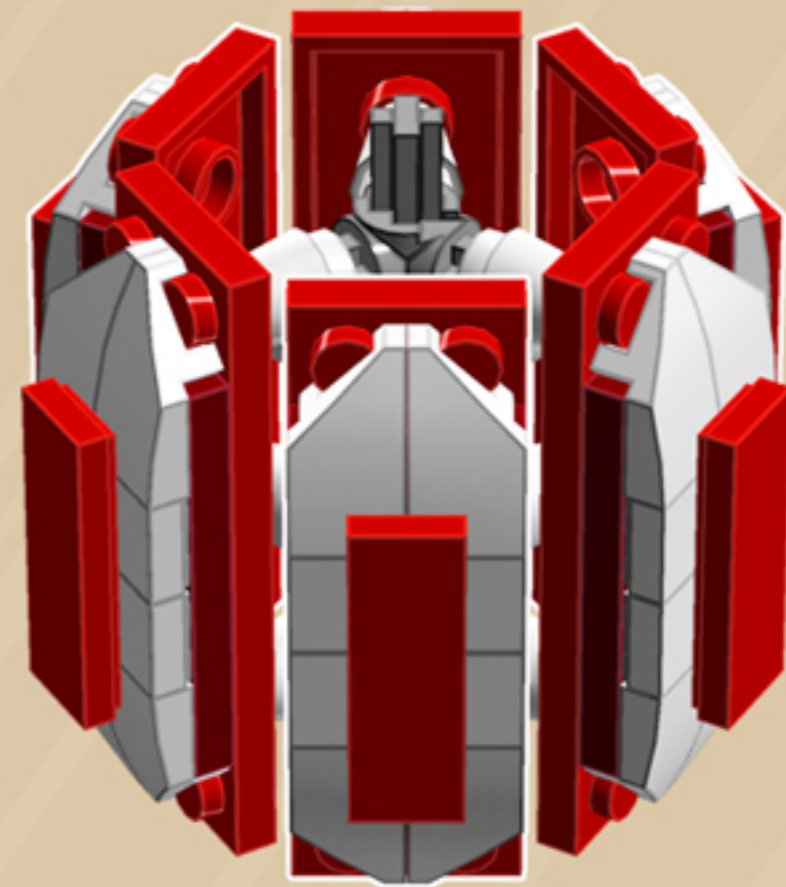
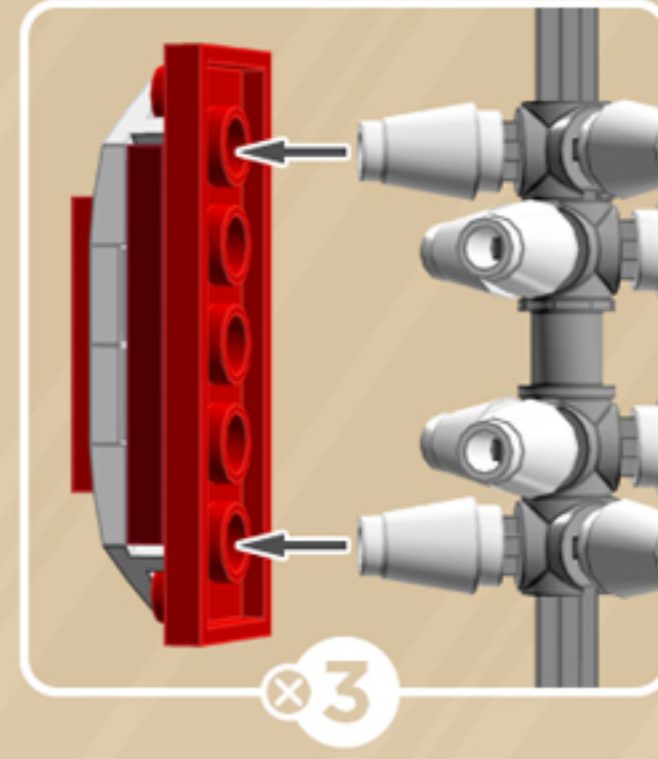
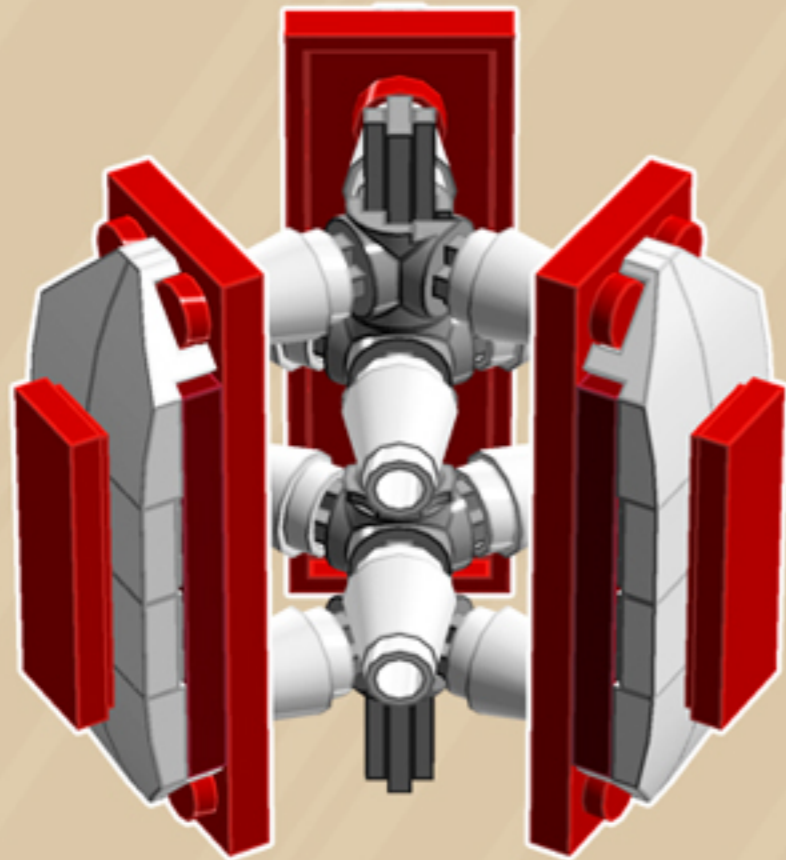
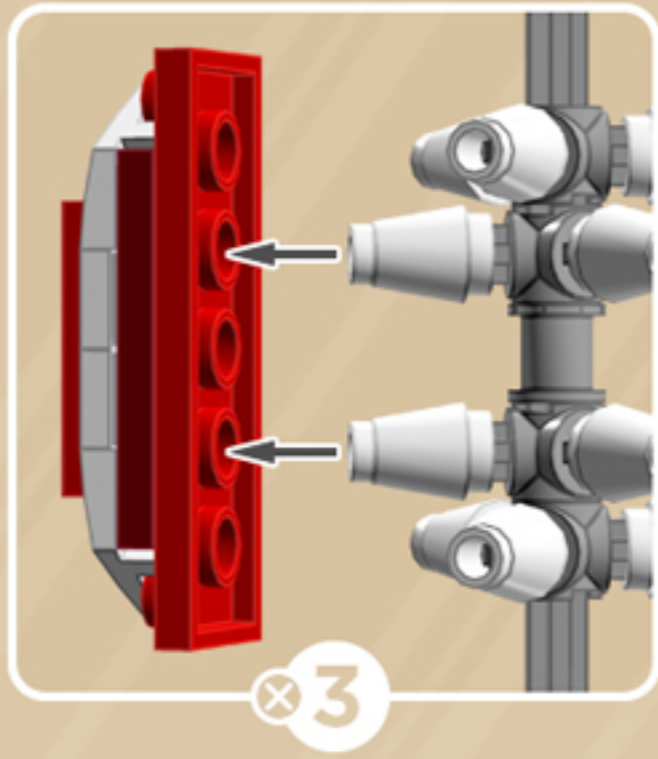
Element ID	Color	Description	Quantity
6010831	Black	Round Plate 2X2 W/Eye	1
4533742	Bright Red	Flat Tile 1X3	6
379521	Bright Red	Plate 2X6	6
4502595	Medium Stone Grey	3-Branch Cross Axle W/Cross H.	4
4211622	Medium Stone Grey	Bush For Cross Axle	1
4211805	Medium Stone Grey	Cross Axle 7M	1
4539071	New Dark Red	Plate 2X4	6
6213880	White	Left Plate 1X2, W/ Bow, 45 Deg. Cut	12
4518400	White	Nose Cone Small 1X1	12
6051511	White	Plate 1X2 W. 1 Knob	12
403201	White	Plate 2X2 Round	2
6213881	White	Right Plate 1X2, W/ Bow, 45 Deg. Cut	12
396001	White	Round Plate Ø32X6.4	2

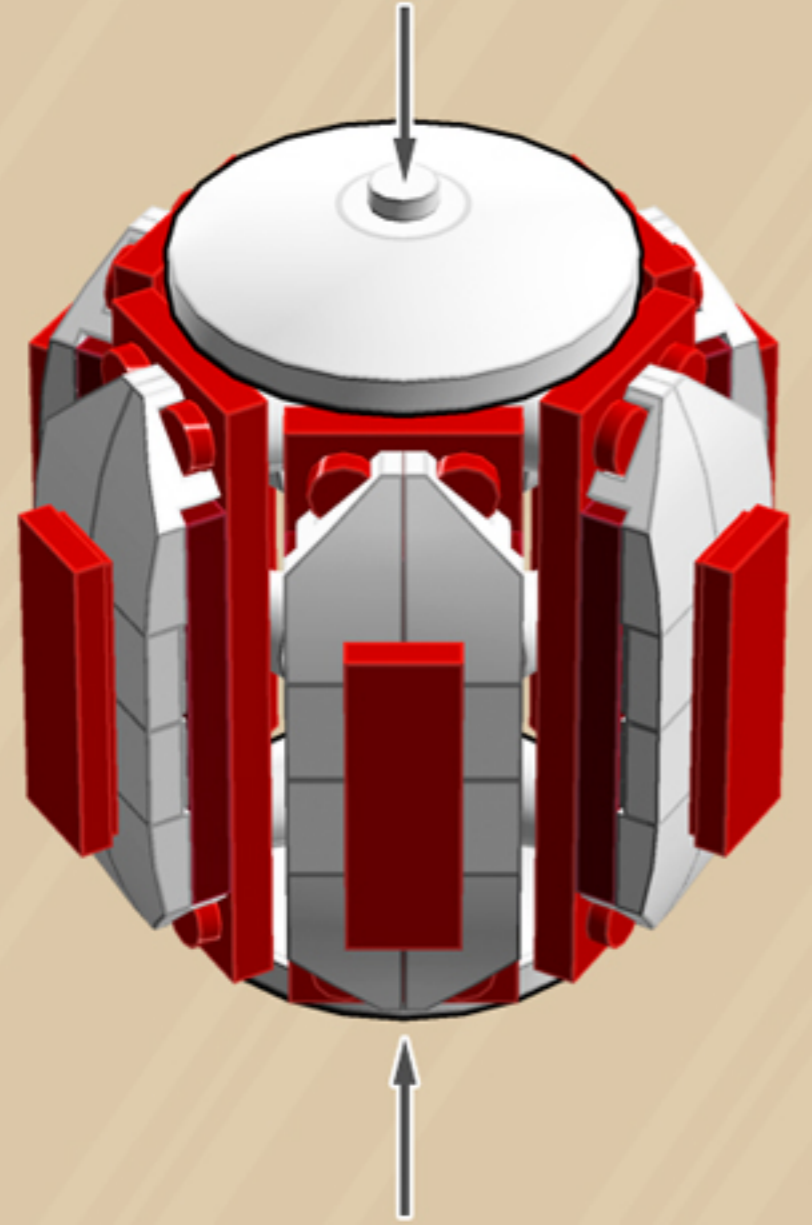
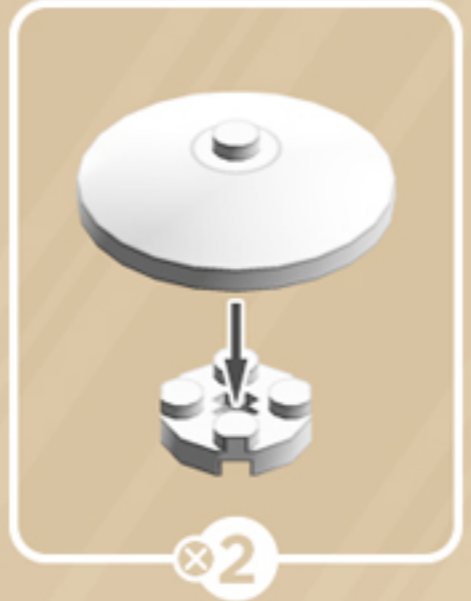






×6





*For more fun builds,
please stop by chrismcveigh.com,
visit me at facebook.com/c.mcveigh.photos,
or follow me on twitter [@actionfigured](https://twitter.com/actionfigured)*

Purchase custom building kits at shop.chrismcveigh.com

These building guides are for personal use only. Unauthorized duplication, distribution and/or modification of these guides, in whole or in part, is strictly prohibited. The models contained within these guides are the copyright of Chris McVeigh, unless otherwise stated. Unauthorized reproduction of these models for resale, either in whole or as a building kit, is strictly prohibited.

© 2018 CHRIS MCVEIGH

LEGO is a registered trademark of The LEGO Group.

