

Crinkle

ORNAMENT

A LEGO® project by Chris McVeigh
chrismcveigh.com

• RED RIBBON (2018) •



v2.0

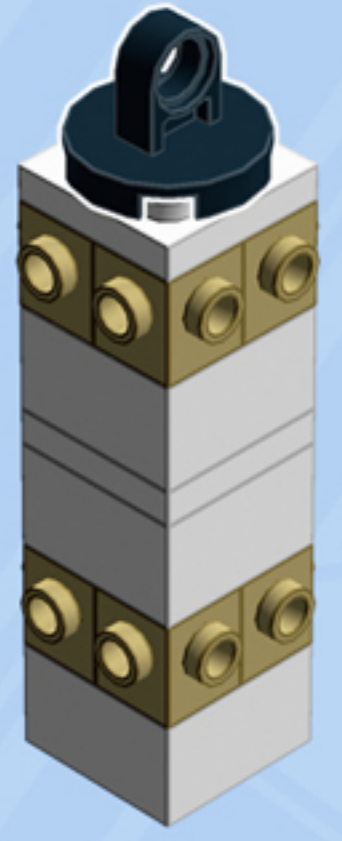
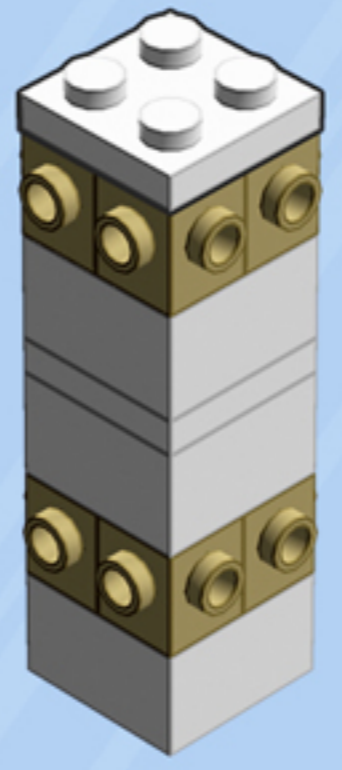
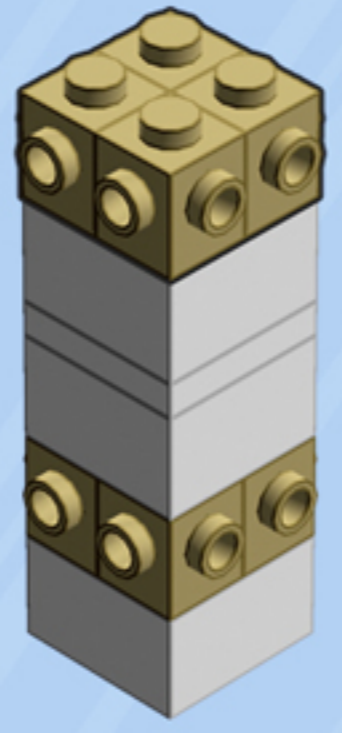
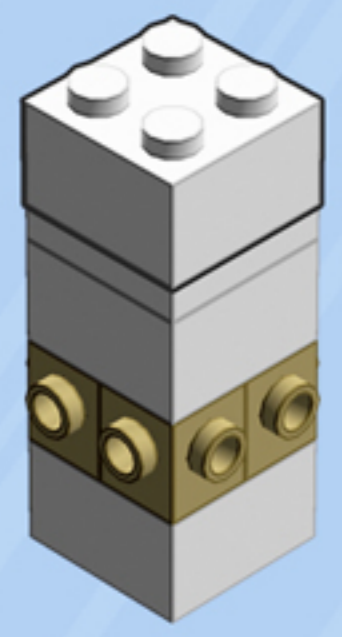
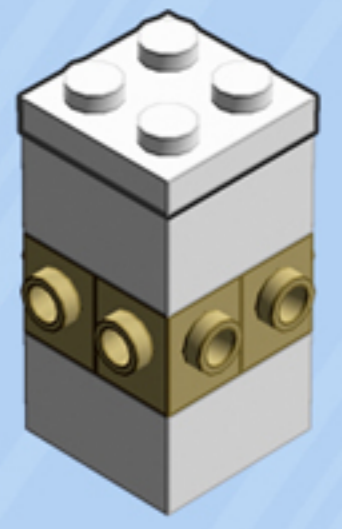
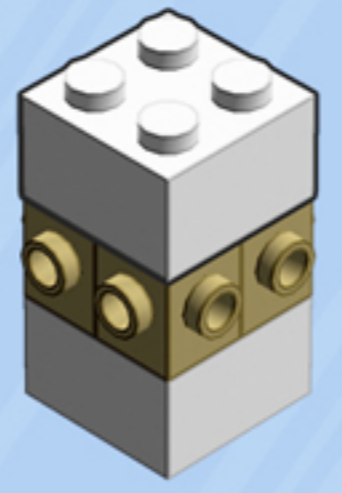


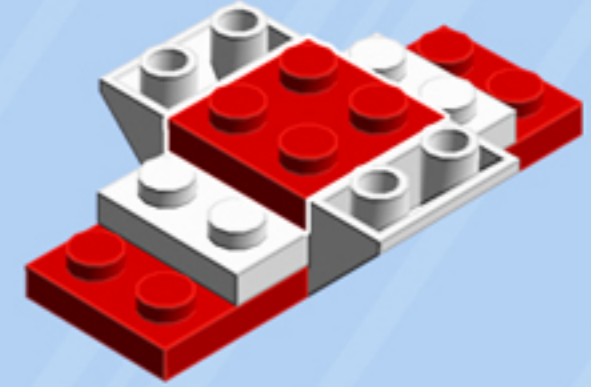
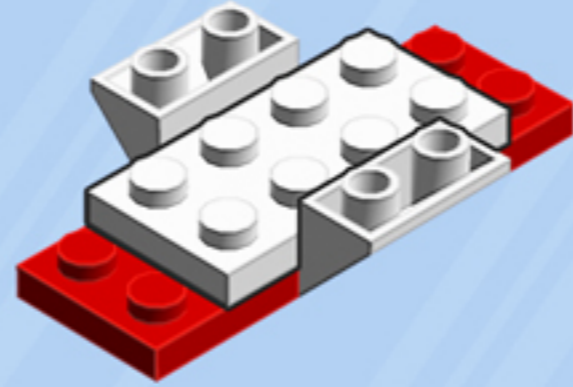
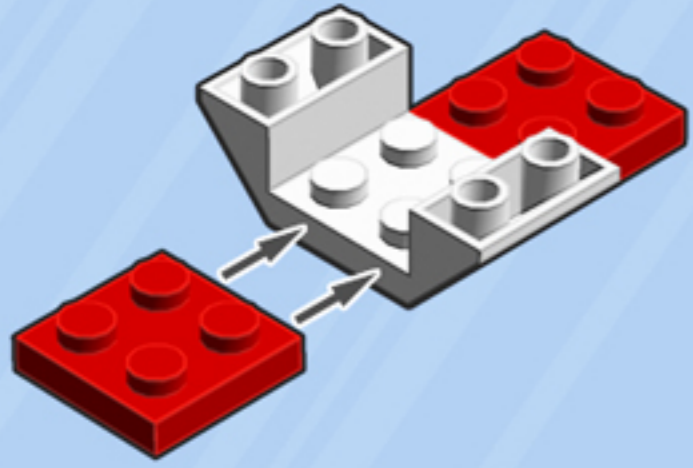
Element ID	Color	Description	Quantity
6010831	Black	Round Plate 2X2 W/Eye	1
6175968	Brick Yellow	Brick 1X1, W/ 2 Knobs, Corner	8
302221	Bright Red	Plate 2X2	12
6105976	Bright Red	Plate W. Bow 2X2X2/3	8
4504379	Bright Red	Roof Tile 1X1X2/3	8
4531415	New Dark Red	Roof Tile 1X1X2/3	8
300301	White	Brick 2X2	3
302201	White	Plate 2X2	2
302001	White	Plate 2X4	4
4249506	White	Plate 2X4X18°	8
4173943	White	Roof Tile 4X2/45° Inv.	4

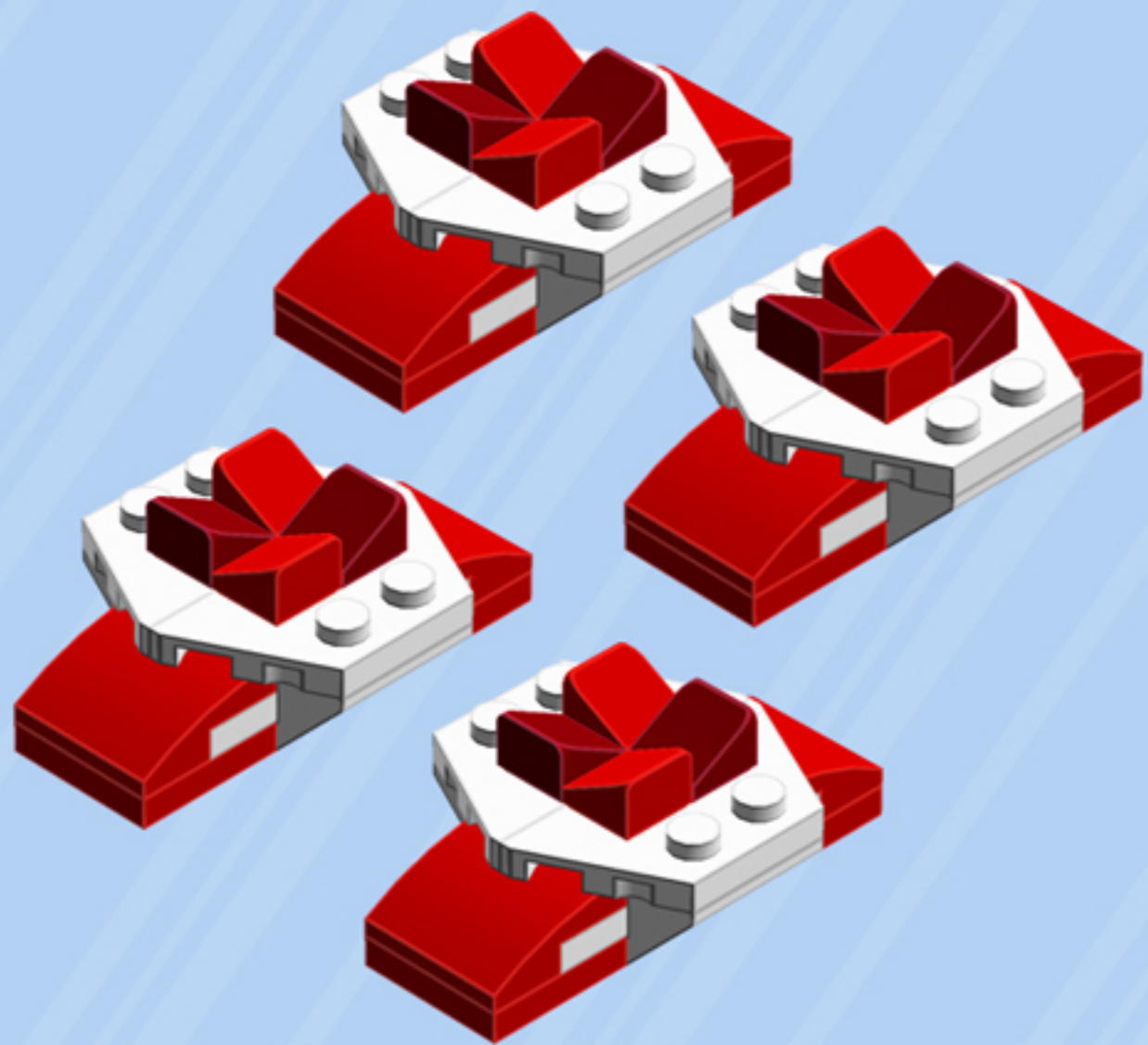




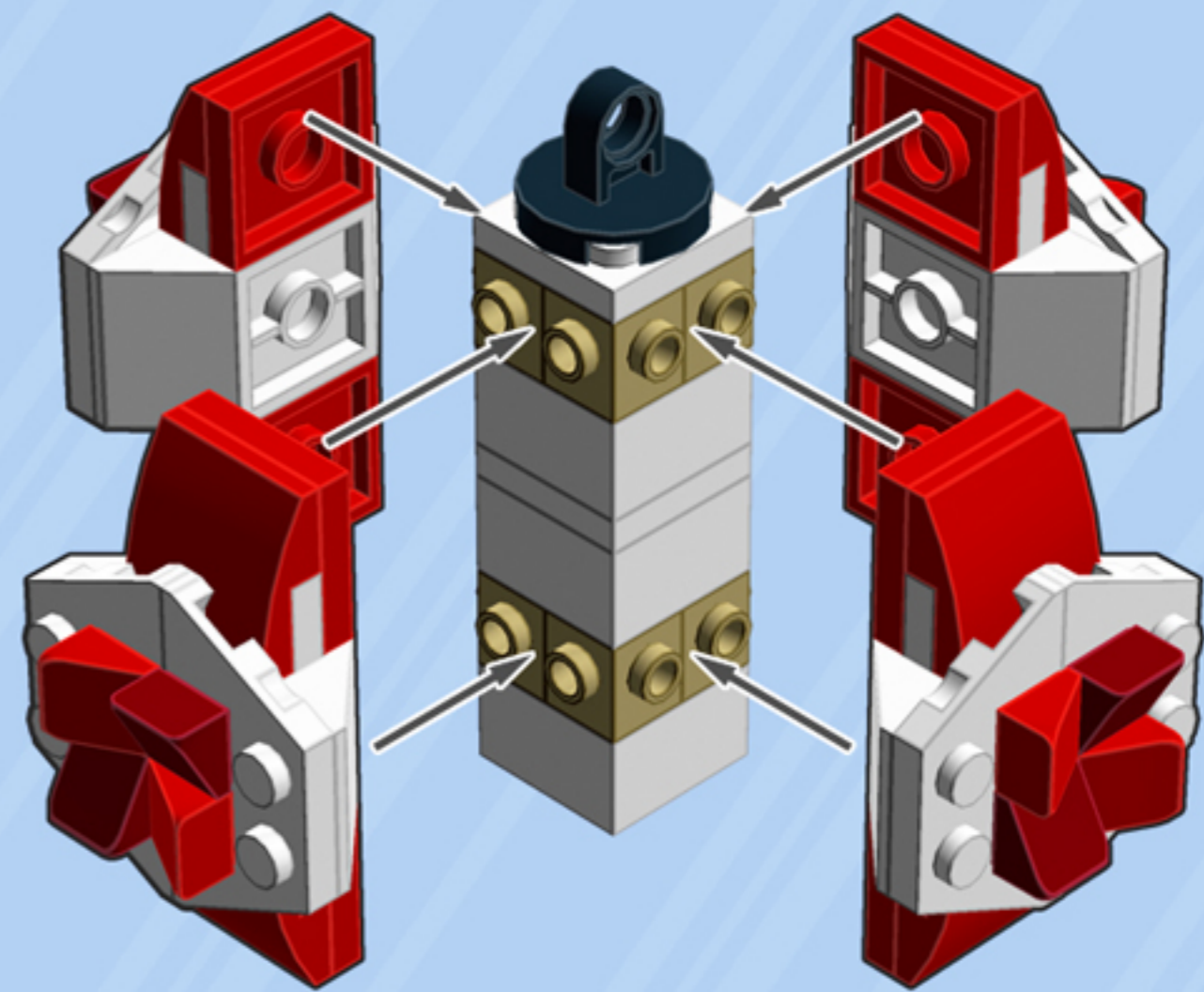
Things not adding up? You may have the original version of the Crinkle Ornament (2016/2017). You'll find the correct building guide at chrismcveigh.com.







4x



*For more fun builds,
please stop by chrismcveigh.com,
visit me at facebook.com/c.mcveigh.photos,
or follow me on twitter [@actionfigured](https://twitter.com/actionfigured)*

Purchase custom building kits at shop.chrismcveigh.com

These building guides are for personal use only. Unauthorized duplication, distribution and/or modification of these guides, in whole or in part, is strictly prohibited. The models contained within these guides are the copyright of Chris McVeigh, unless otherwise stated. Unauthorized reproduction of these models for resale, either in whole or as a building kit, is strictly prohibited.

© 2018 CHRIS MCVEIGH

LEGO is a registered trademark of The LEGO Group.

