

MODULAR
Arcade
CORNER BUNDLE

A LEGO® project by Chris McVeigh
chrismcveigh.com





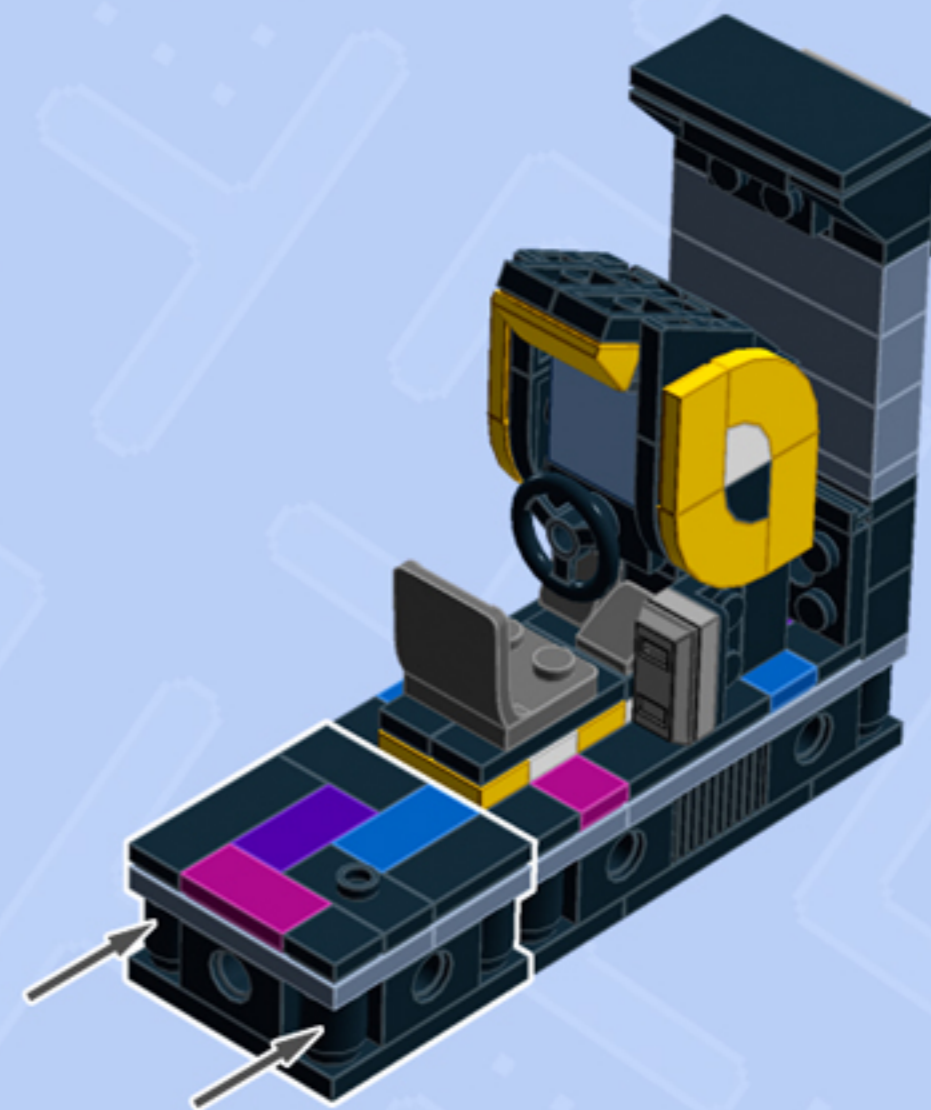
*This guide shows you how to set up the arcade bundle in its default layout.
Please assemble the following Modular Arcade units before proceeding.*



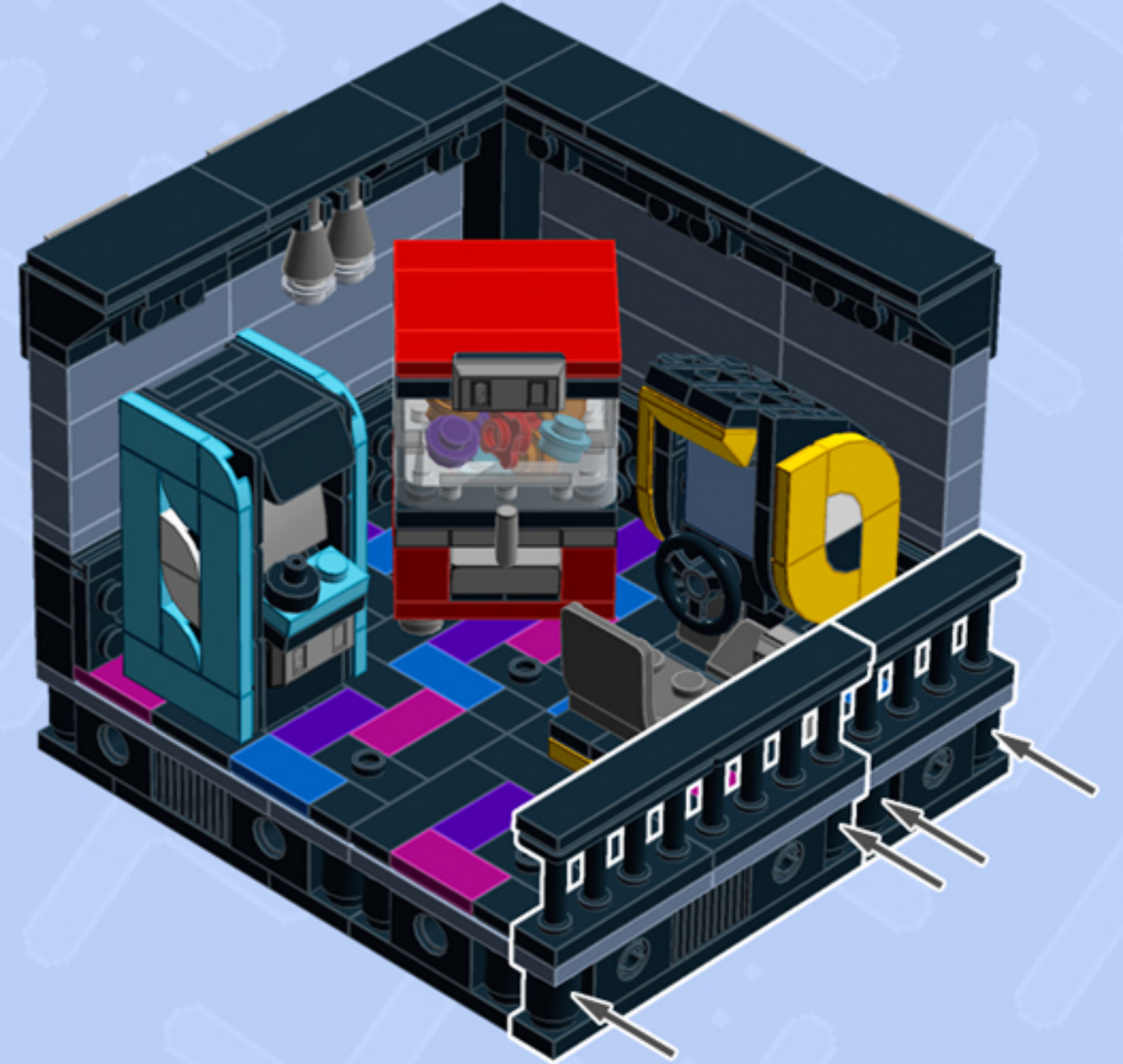
Building guides for individual arcade units are available at chrismcveigh.com

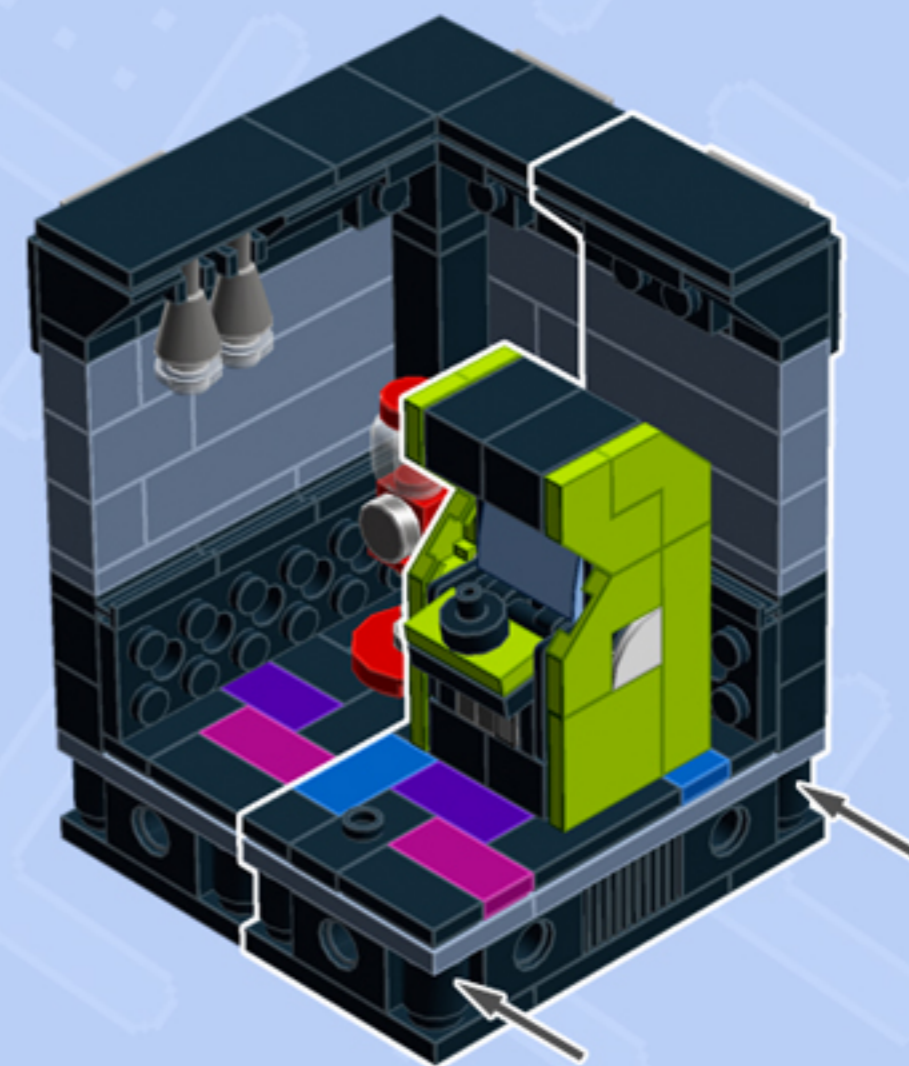
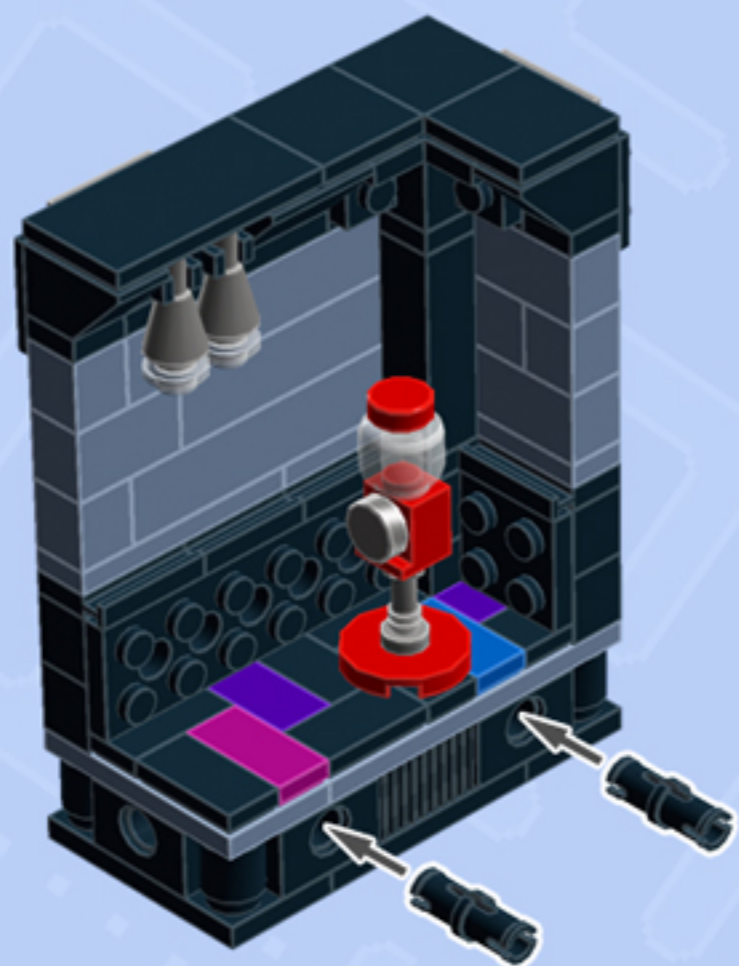


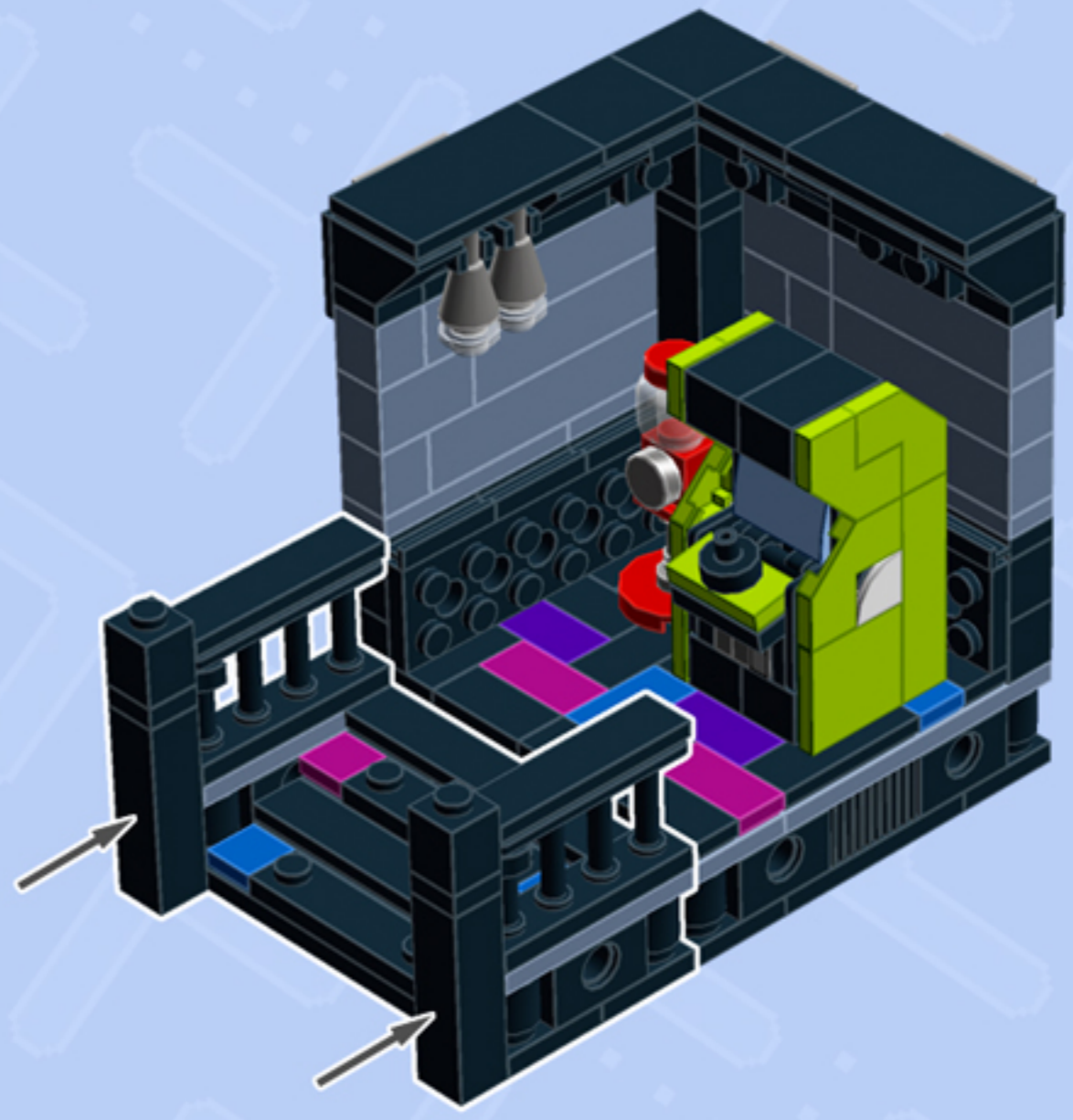
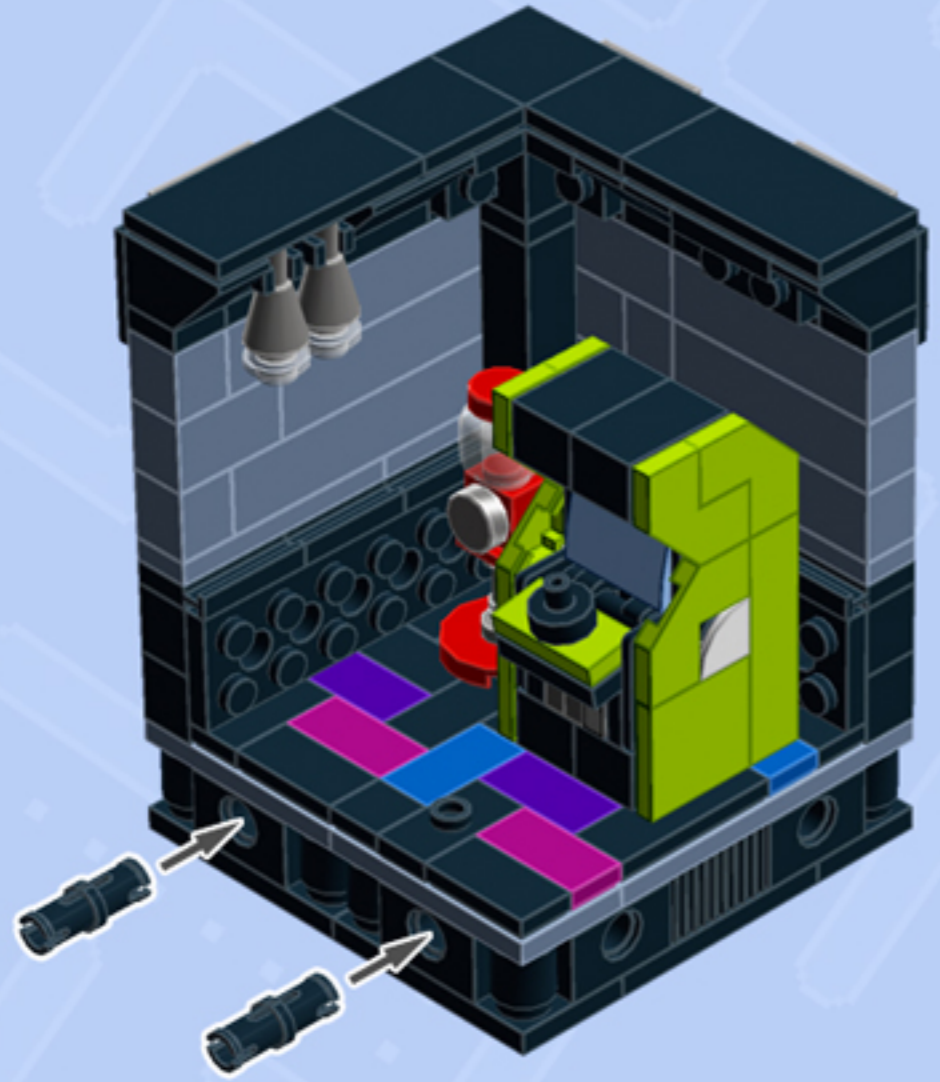


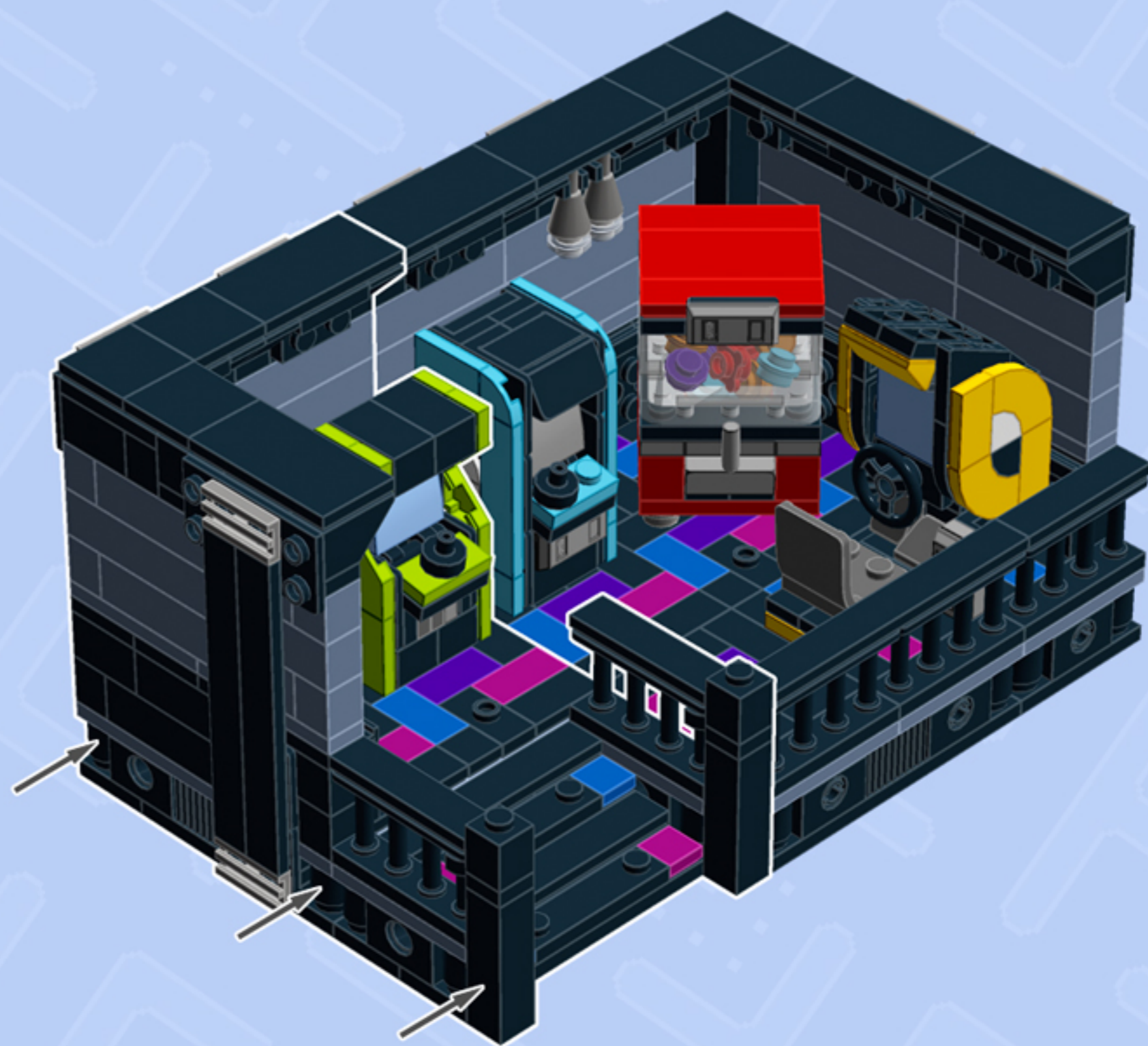


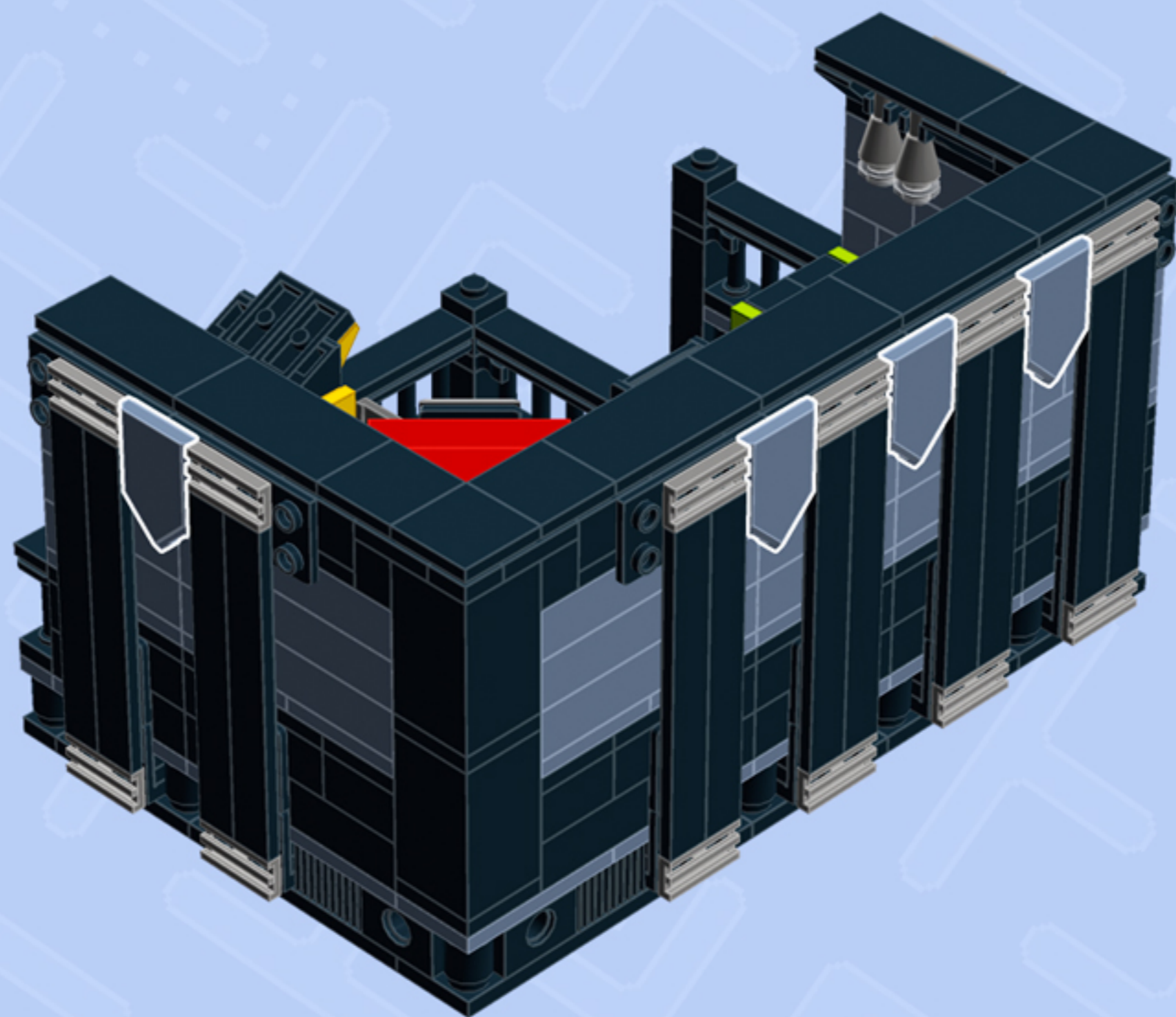












*For more fun builds,
please stop by chrismcveigh.com,
visit me at facebook.com/c.mcveigh.photos,
or follow me on twitter [@actionfigured](https://twitter.com/actionfigured)*

Purchase custom building kits at shop.chrismcveigh.com

These building guides are for personal use only. Unauthorized duplication, distribution and/or modification of these guides, in whole or in part, is strictly prohibited. The models contained within these guides are the copyright of Chris McVeigh, unless otherwise stated. Unauthorized reproduction of these models for resale, either in whole or as a building kit, is strictly prohibited.

© 2018 CHRIS MCVEIGH

LEGO is a registered trademark of The LEGO Group.

