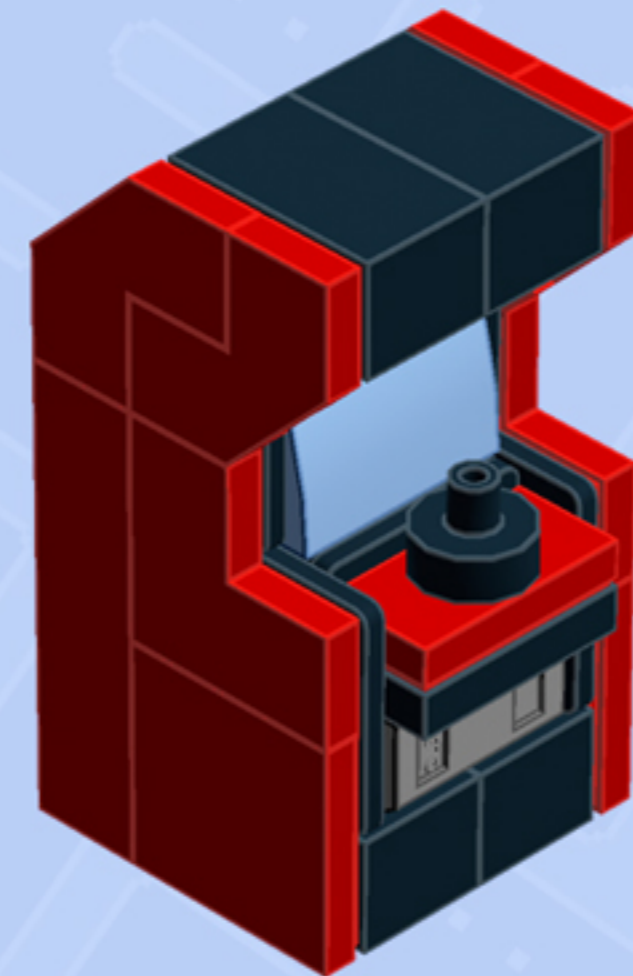


MODULAR  
**Arcade**  
ARCADE MACHINE

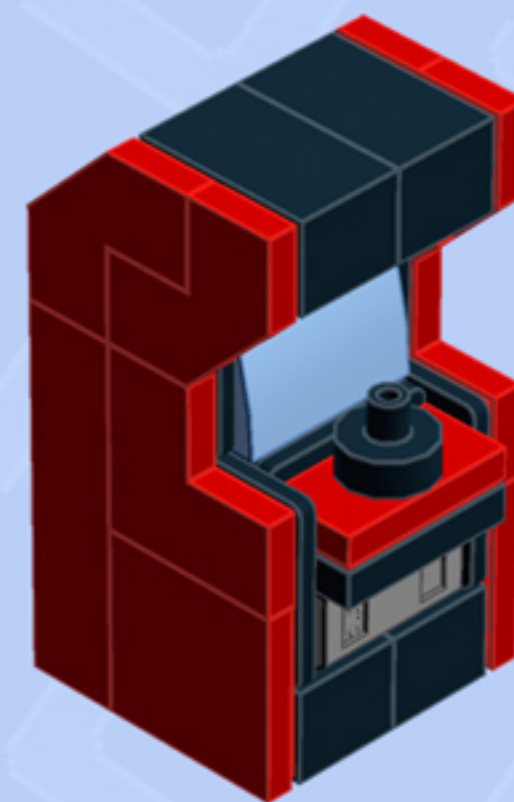
*A LEGO® project by Chris McVeigh*  
*[chrismcveigh.com](http://chrismcveigh.com)*

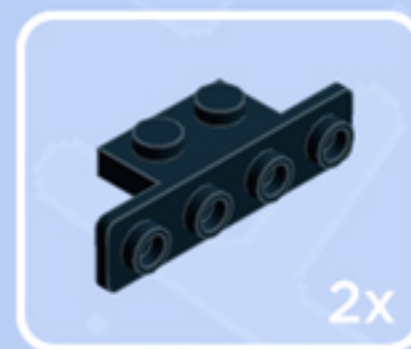
• RED •

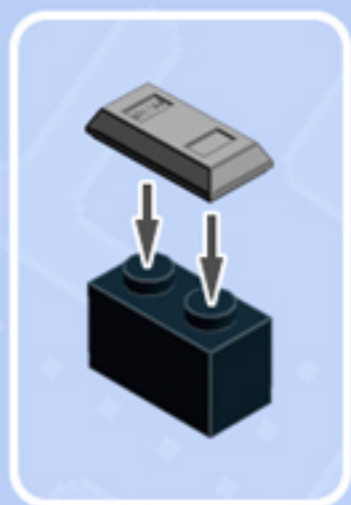


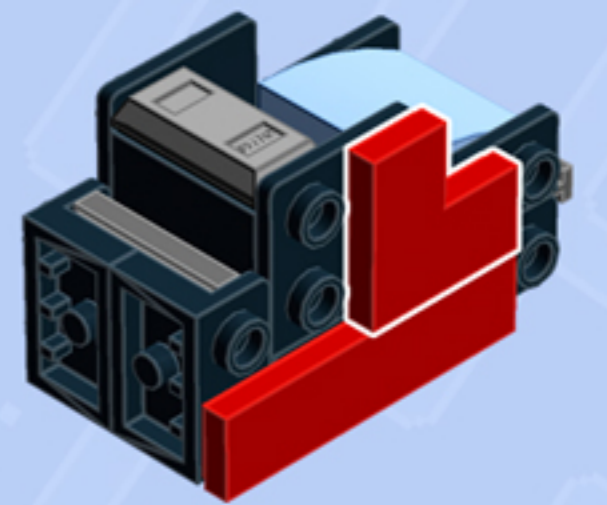
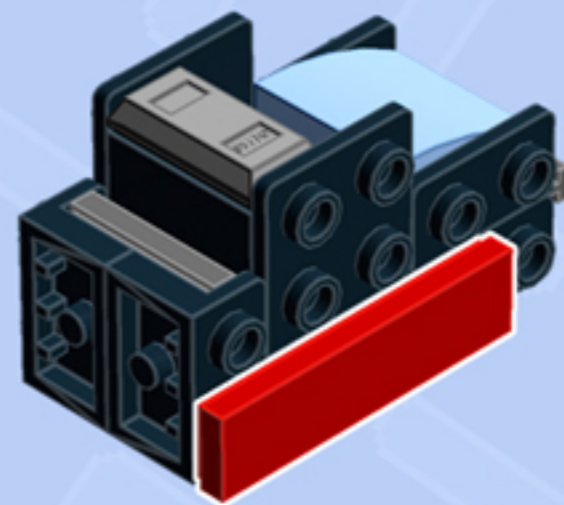
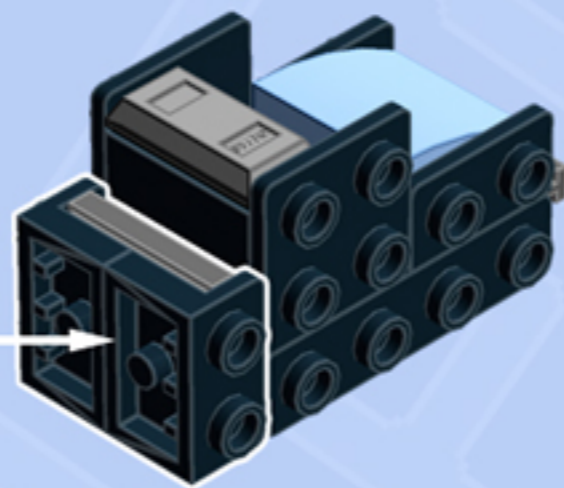
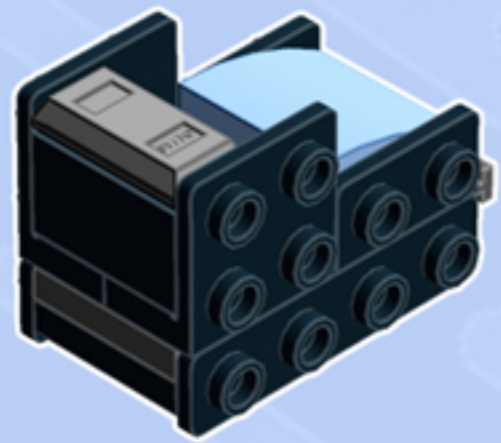
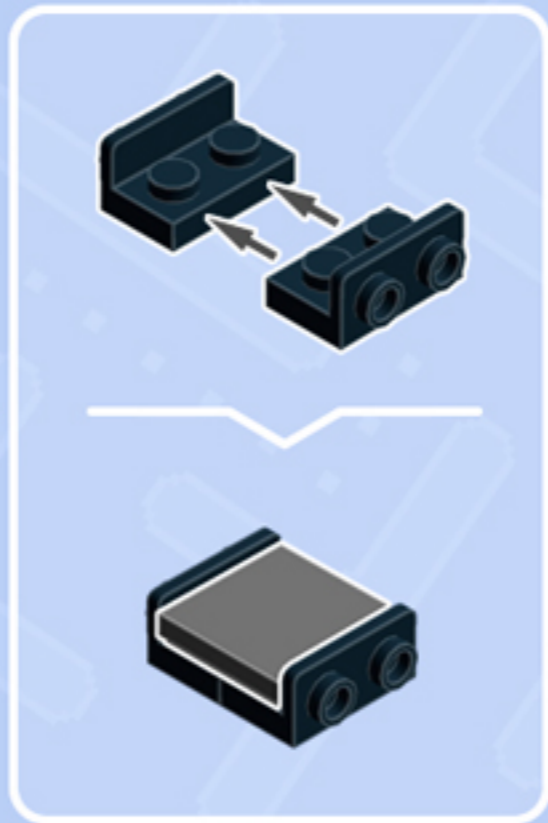


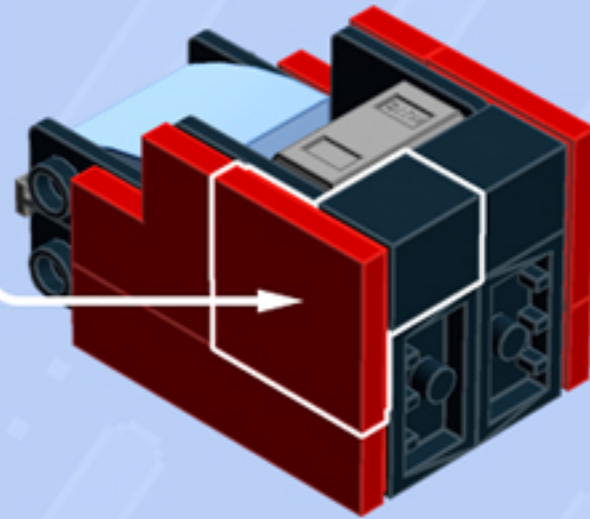
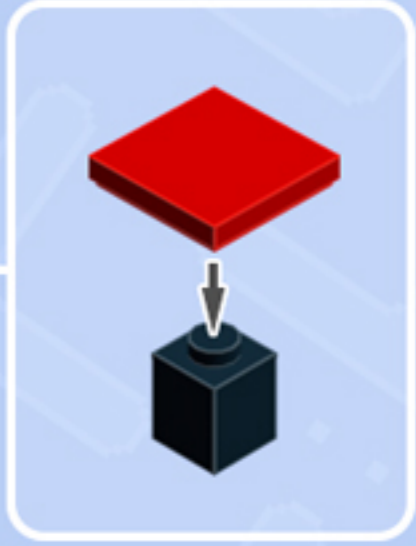
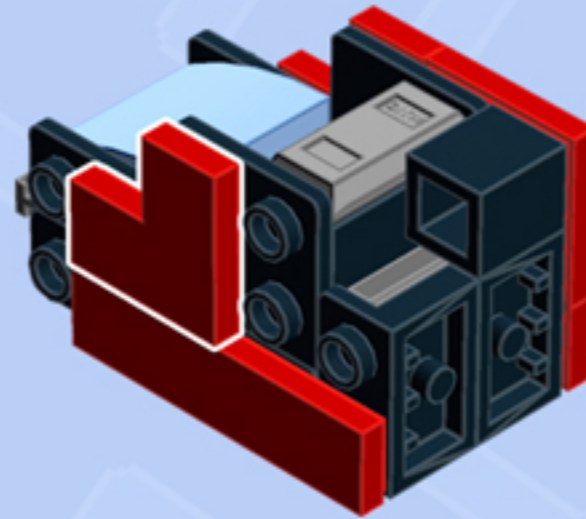
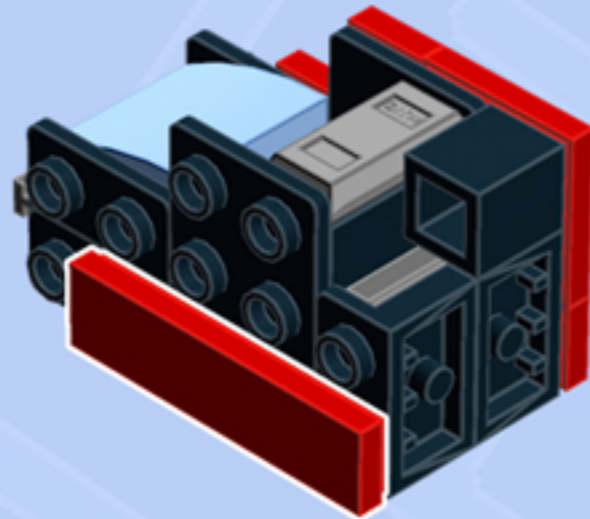
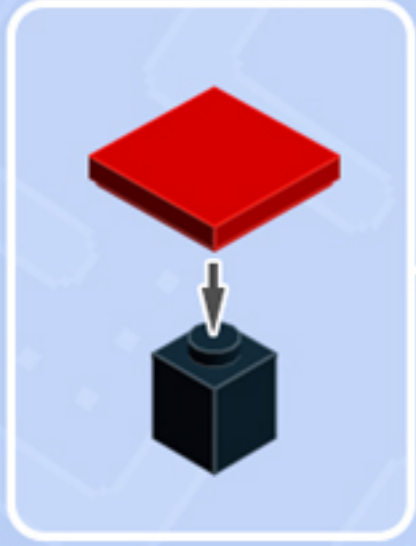
Element ID	Color	Description	Quantity
6089577	Black	Angle Plate 1X2/1X4	2
6020193	Black	Angular Plate 1.5 Bot. 1X2 1/2	5
6000650	Black	Angular Plate 1.5 Bot. 1X2 2/2	2
300526	Black	Brick 1X1	2
300426	Black	Brick 1X2	3
6186675	Black	Plate 1X1 W/3.2 Shaft/1.5 Hole	3
302026	Black	Plate 2X4	1
243121	Bright Red	Flat Tile 1X4	2
306821	Bright Red	Flat Tile 2X2	2
6078641	Bright Red	Flat Tile Corner 1X2X2	2
6092565	Bright Red	Plate 1X2 W. 1 Knob	1
6217194	Bright Red	Tile 2X2, Deg. 90, W/ Deg. 45 Cut	4
4211055	Dark Stone Grey	Flat Tile 2X2	1
4211063	Dark Stone Grey	Plate 1X2	2
4543086	Dark Stone Grey	Plate 1X2 With Slide	1
6132420	Light Royal Blue	Plate W. Bow 2X2X2/3	1
6134378	Medium Stone Grey	Gold Ingot	1

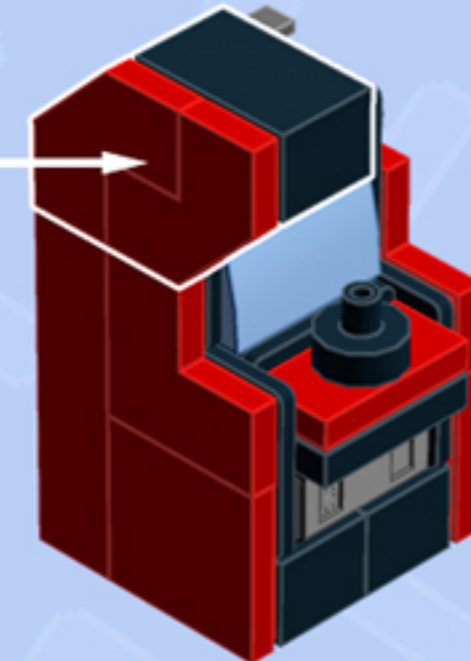
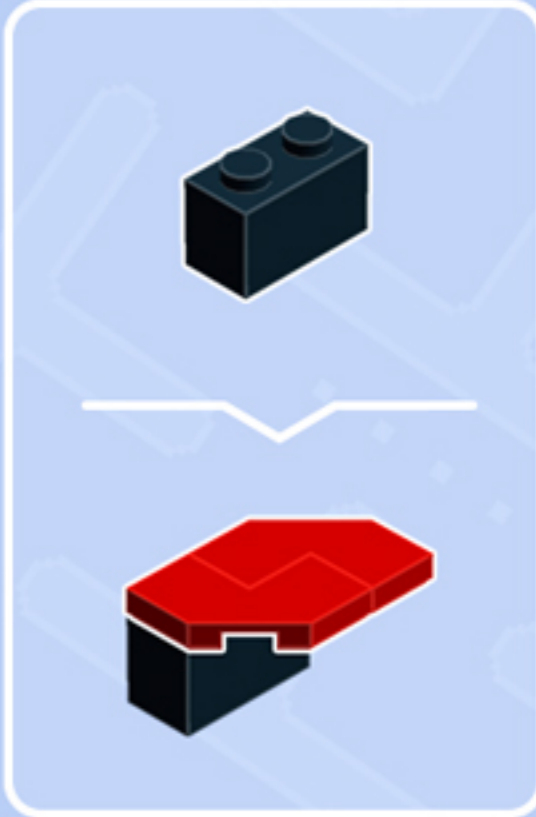
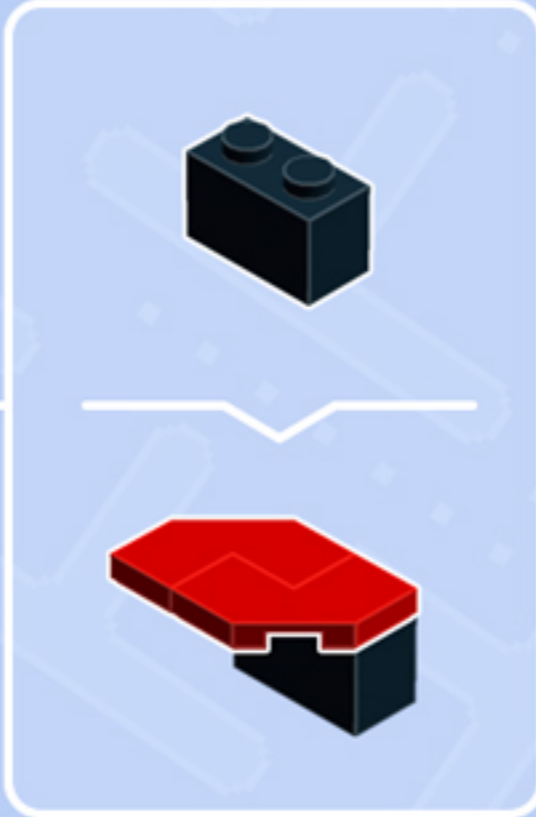
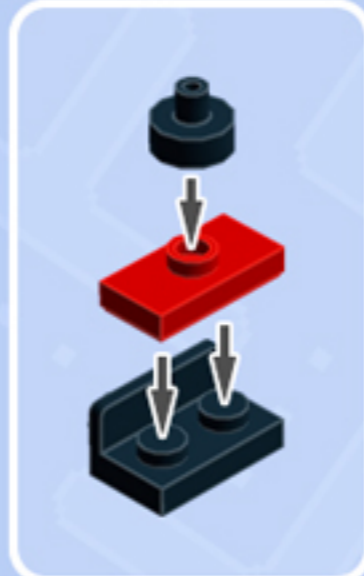






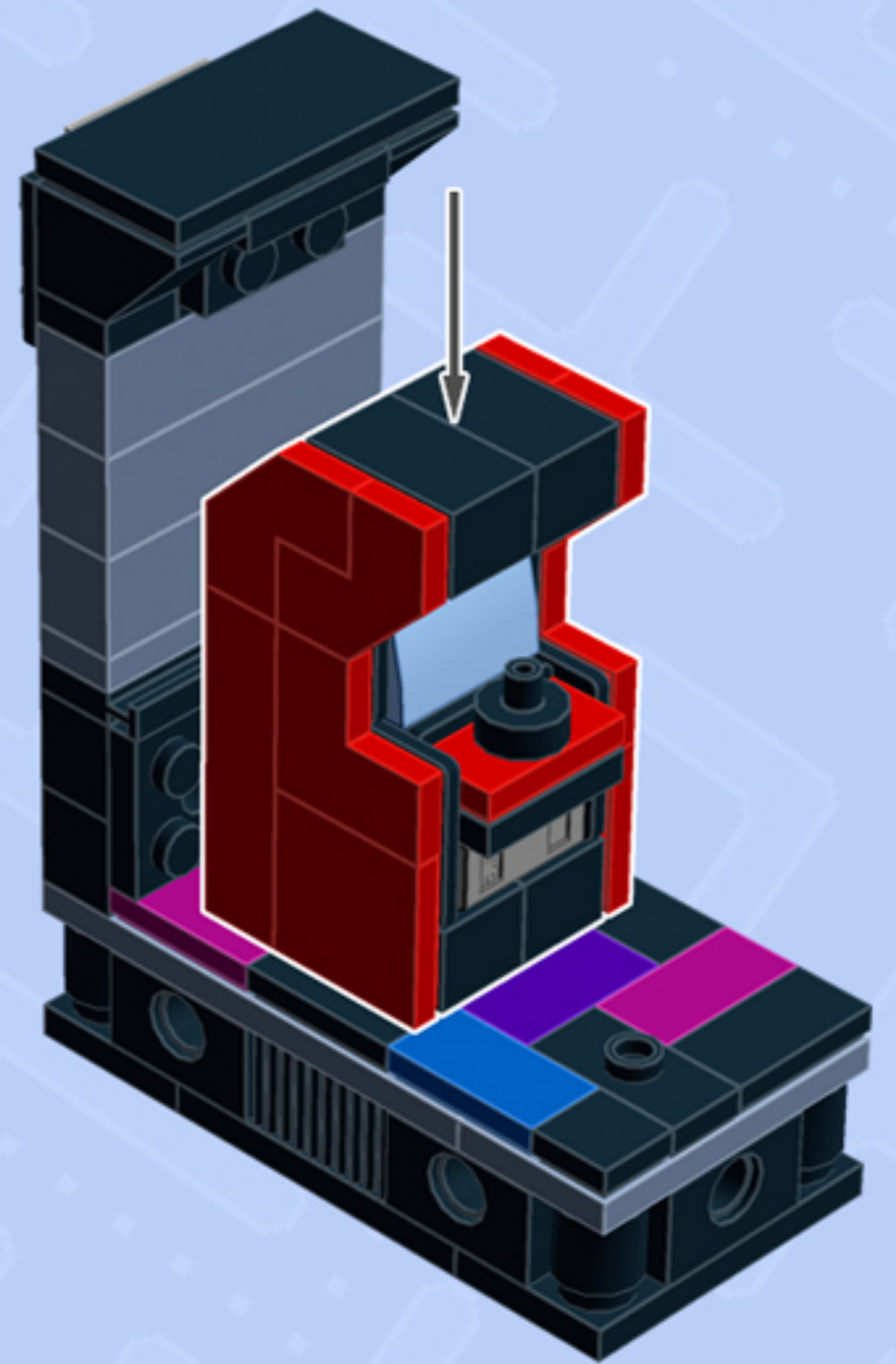
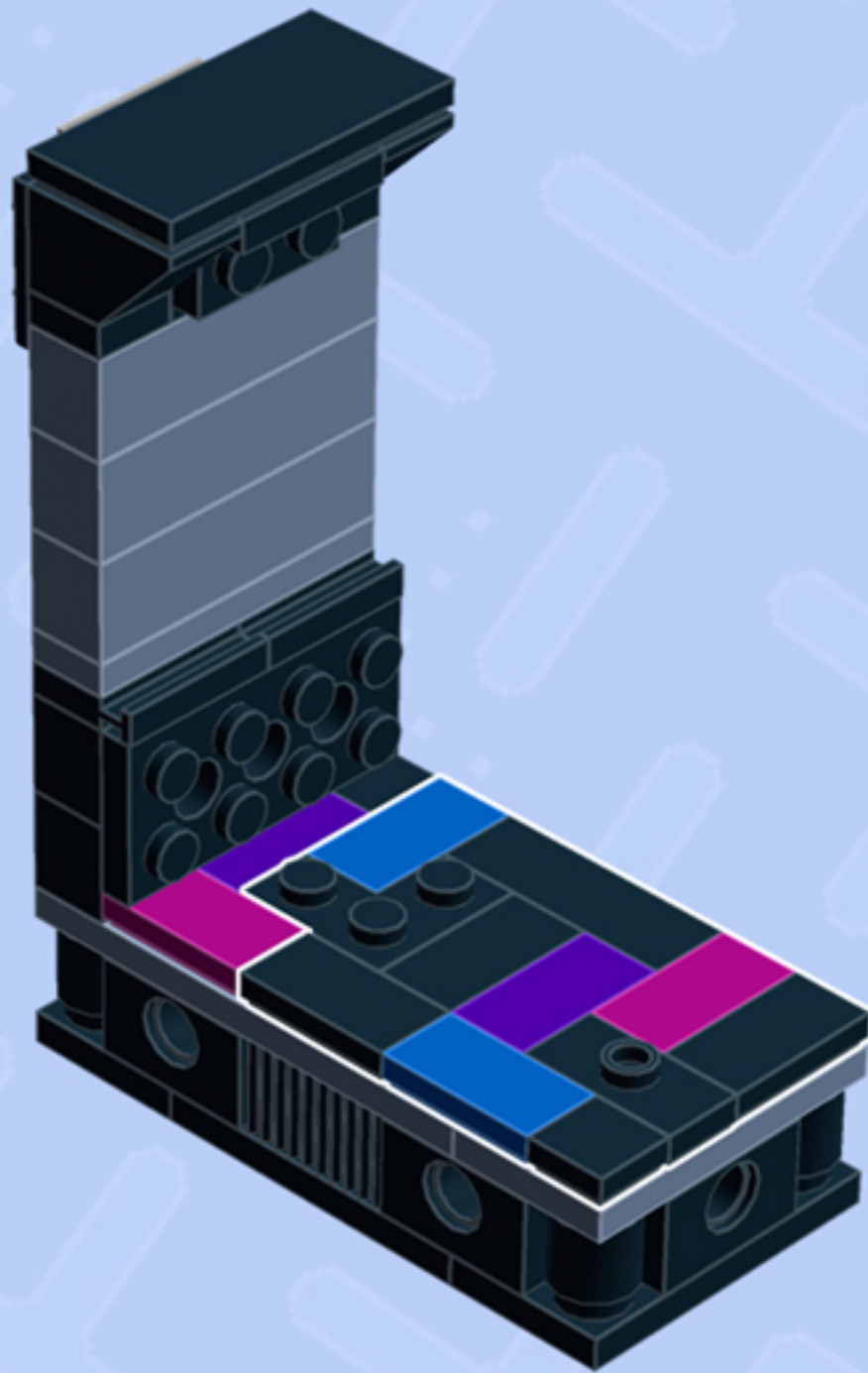
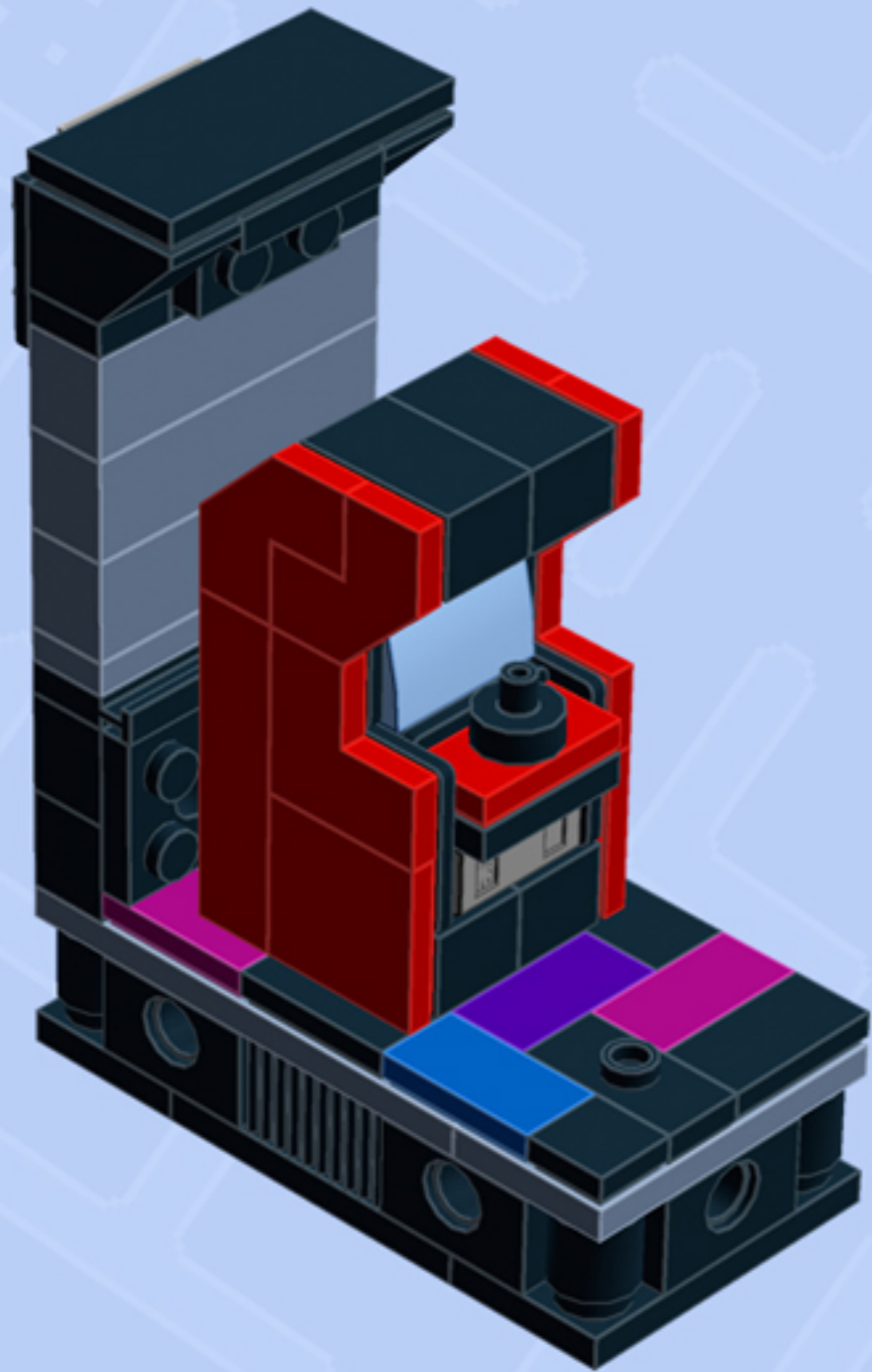








*Connect to Wall Unit 4x8!*



*Wall Unit 4x8 building guide available separately.  
Configure the floor as shown to correctly seat Arcade Machine.*



*For more fun builds,  
please stop by [chrismcveigh.com](http://chrismcveigh.com),  
visit me at [facebook.com/c.mcveigh.photos](https://facebook.com/c.mcveigh.photos),  
or follow me on twitter [@actionfigured](https://twitter.com/actionfigured)*

*Purchase custom building kits at [shop.chrismcveigh.com](http://shop.chrismcveigh.com)*

*These building guides are for personal use only. Unauthorized duplication, distribution and/or modification of these guides, in whole or in part, is strictly prohibited. The models contained within these guides are the copyright of Chris McVeigh, unless otherwise stated. Unauthorized reproduction of these models for resale, either in whole or as a building kit, is strictly prohibited.*

**© 2018 CHRIS MCVEIGH**

*LEGO is a registered trademark of The LEGO Group.*

