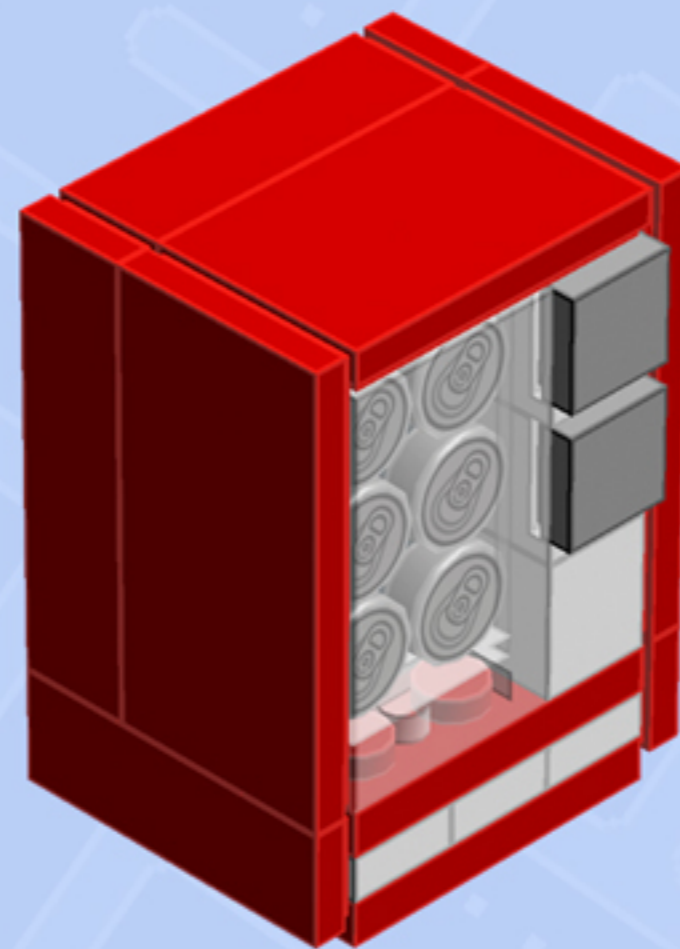


MODULAR  
**Arcade**

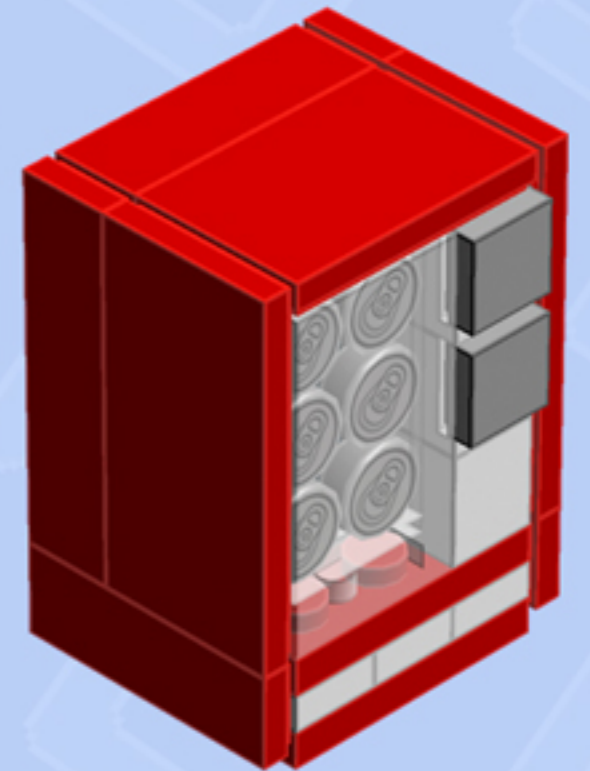
SODA MACHINE

*A LEGO® project by Chris McVeigh*  
[chrismcveigh.com](http://chrismcveigh.com)



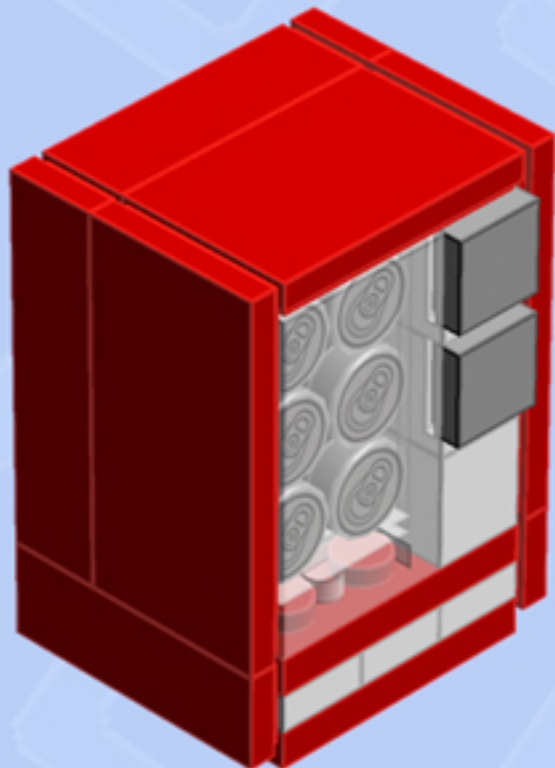


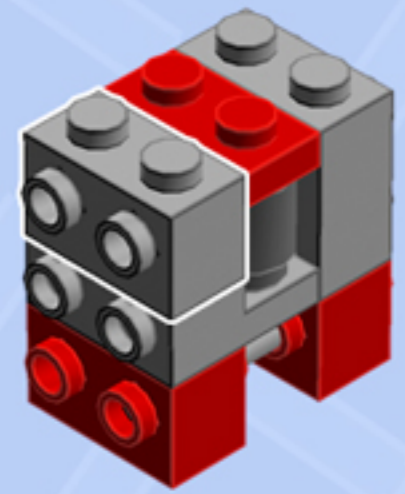
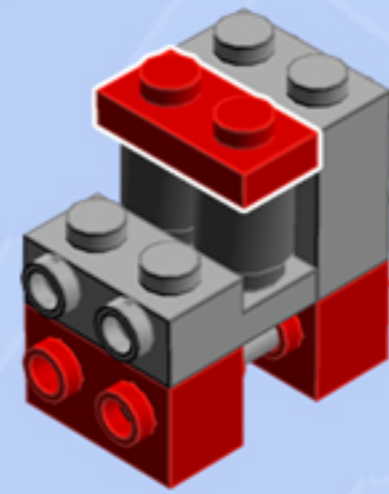
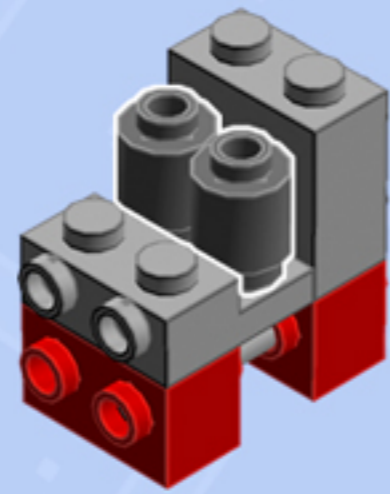
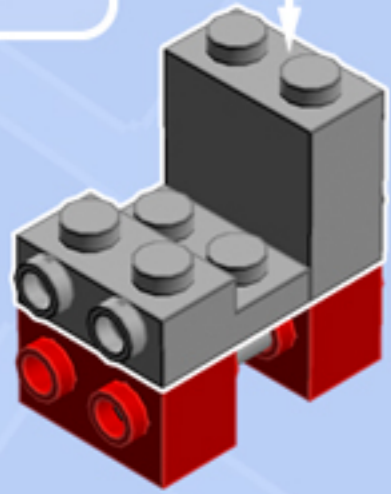
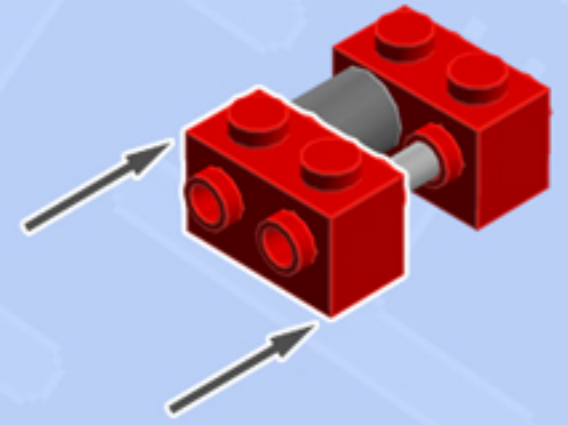
Element ID	Color	Description	Quantity
6117973	Black	Angle Plate 1X2 / 2X2	1
6020193	Black	Angular Plate 1.5 Bot. 1X2 1/2	1
302426	Black	Plate 1X1	2
4569056	Bright Red	Brick 1X2 W. Four Knobs	2
4533742	Bright Red	Flat Tile 1X3	3
243121	Bright Red	Flat Tile 1X4	2
6189130	Bright Red	Flat Tile 2x3	1
4560179	Bright Red	Flat Tile 2X4	2
302321	Bright Red	Plate 1X2	1
362321	Bright Red	Plate 1X3	3
6100030	Dark Stone Grey	Beam 1X1	1
4211090	Dark Stone Grey	Round Brick 1X1	2
6015344	Medium Stone Grey	Brick 1X2 W. 2 Knobs	1

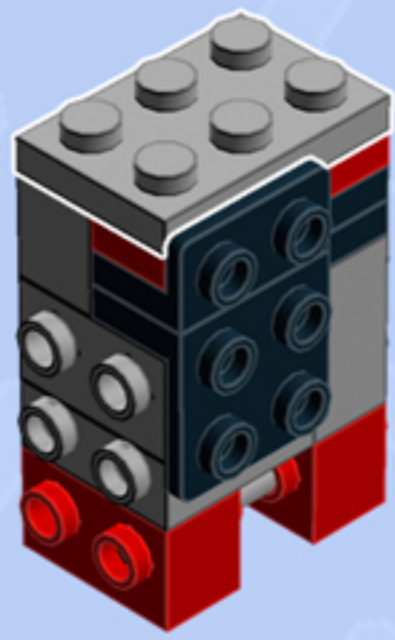
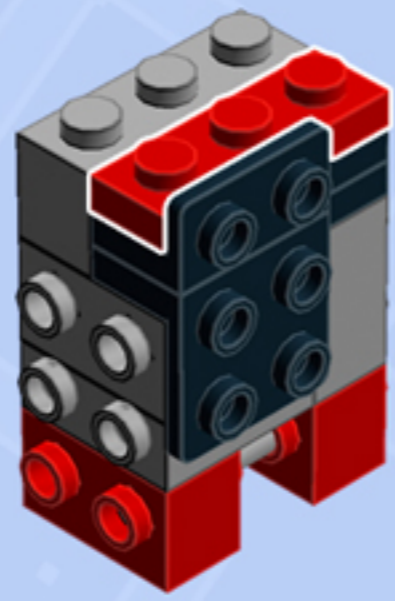
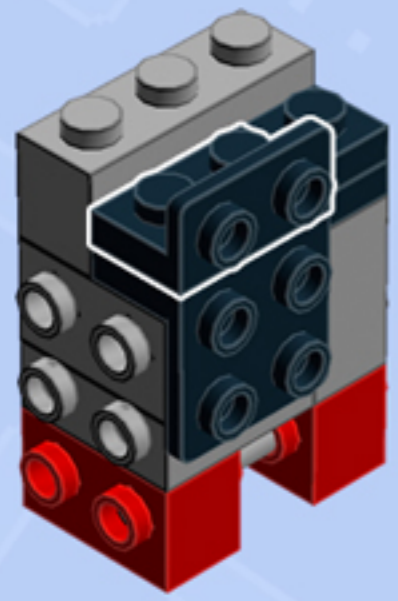
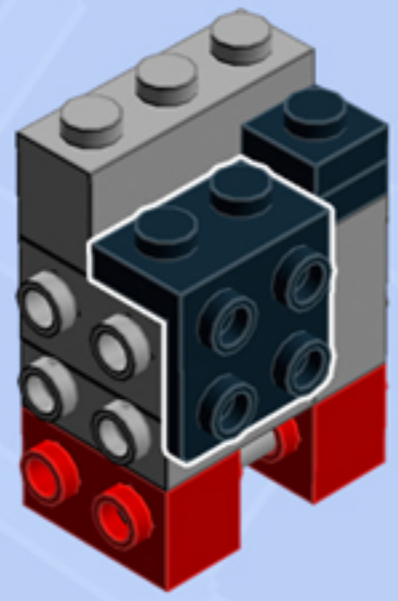
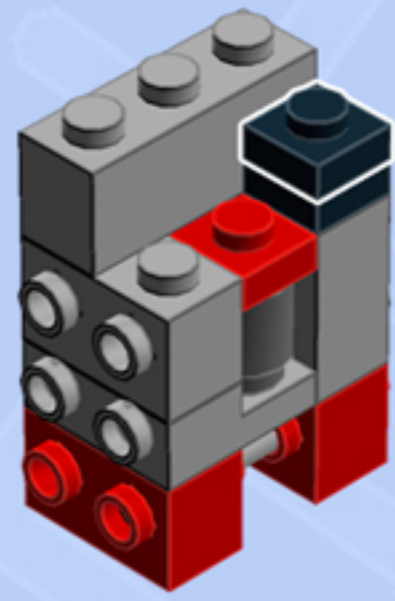
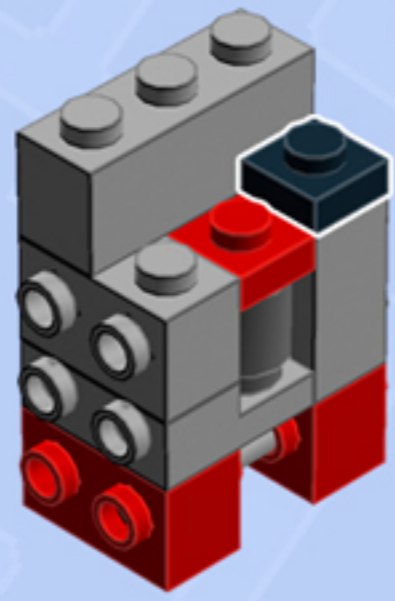
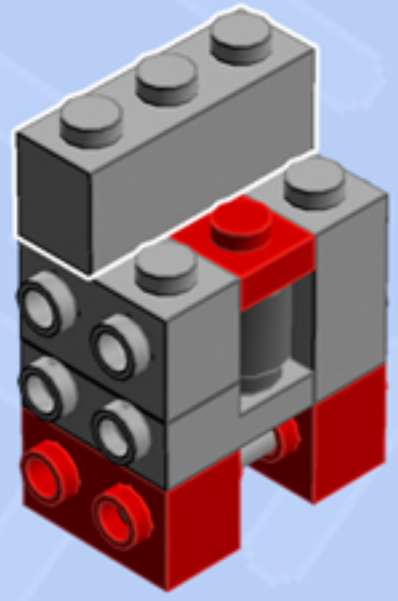


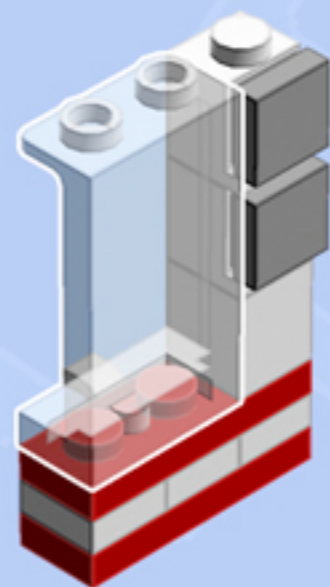
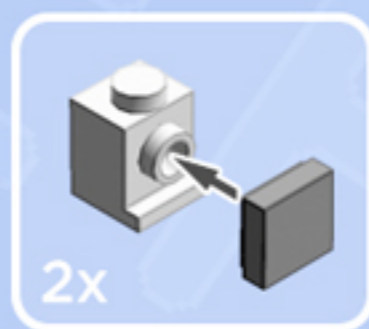
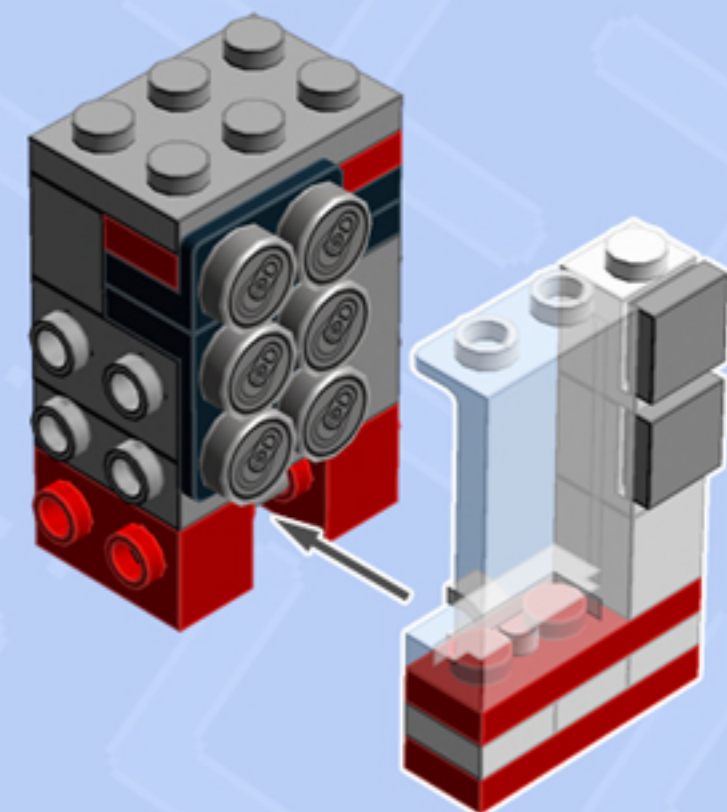


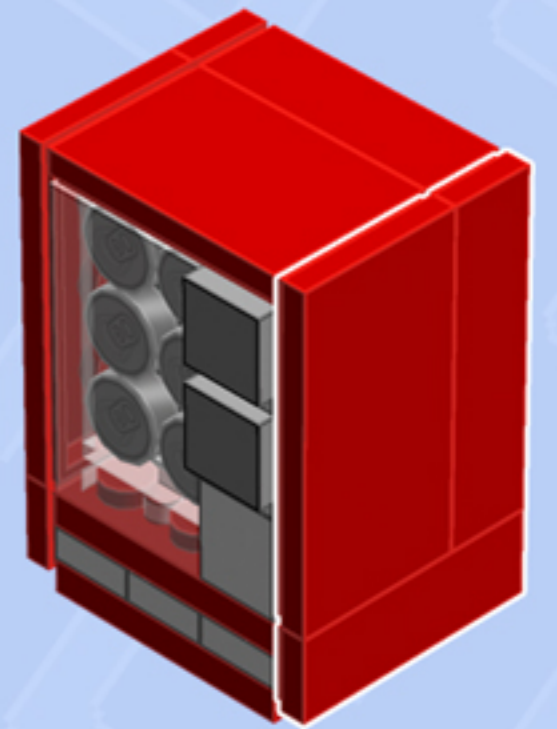
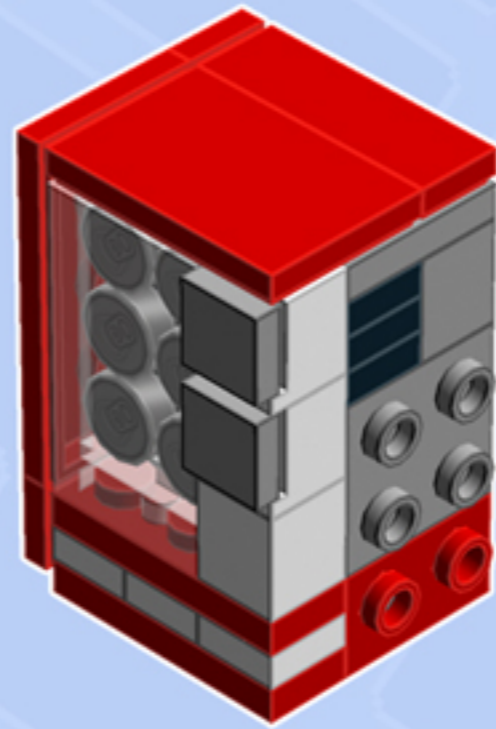
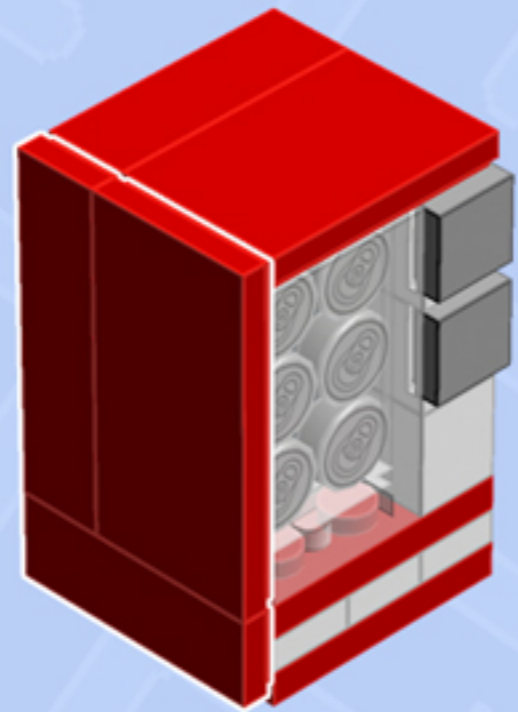
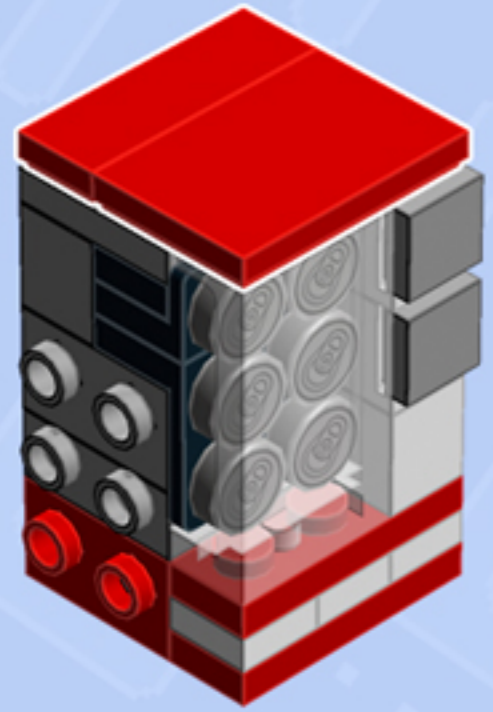
Element ID	Color	Description	Quantity
6123809	Medium Stone Grey	Brick 1X2X1 2/3 W/4 Knobs	1
4211428	Medium Stone Grey	Brick 1X3	1
4211415	Medium Stone Grey	Flat Tile 1X1	2
4654577	Medium Stone Grey	Plate 2X2X2/3 W. 2. Hor. Knob	1
4211396	Medium Stone Grey	Plate 2X3	1
6093527	Medium Stone Grey	Shaft 3M Ø3.2	1
6117400	Silver Metallic	Flat Tile 1X1, Round "No. 35"	6
6010737	Transparent	Wall Element 1X2X3 - Tr.	1
407001	White	Angular Brick 1X1	2
300501	White	Brick 1X1	1
302401	White	Plate 1X1	2
4538353	White	Plate 1X1 W/Holder Vertical	1





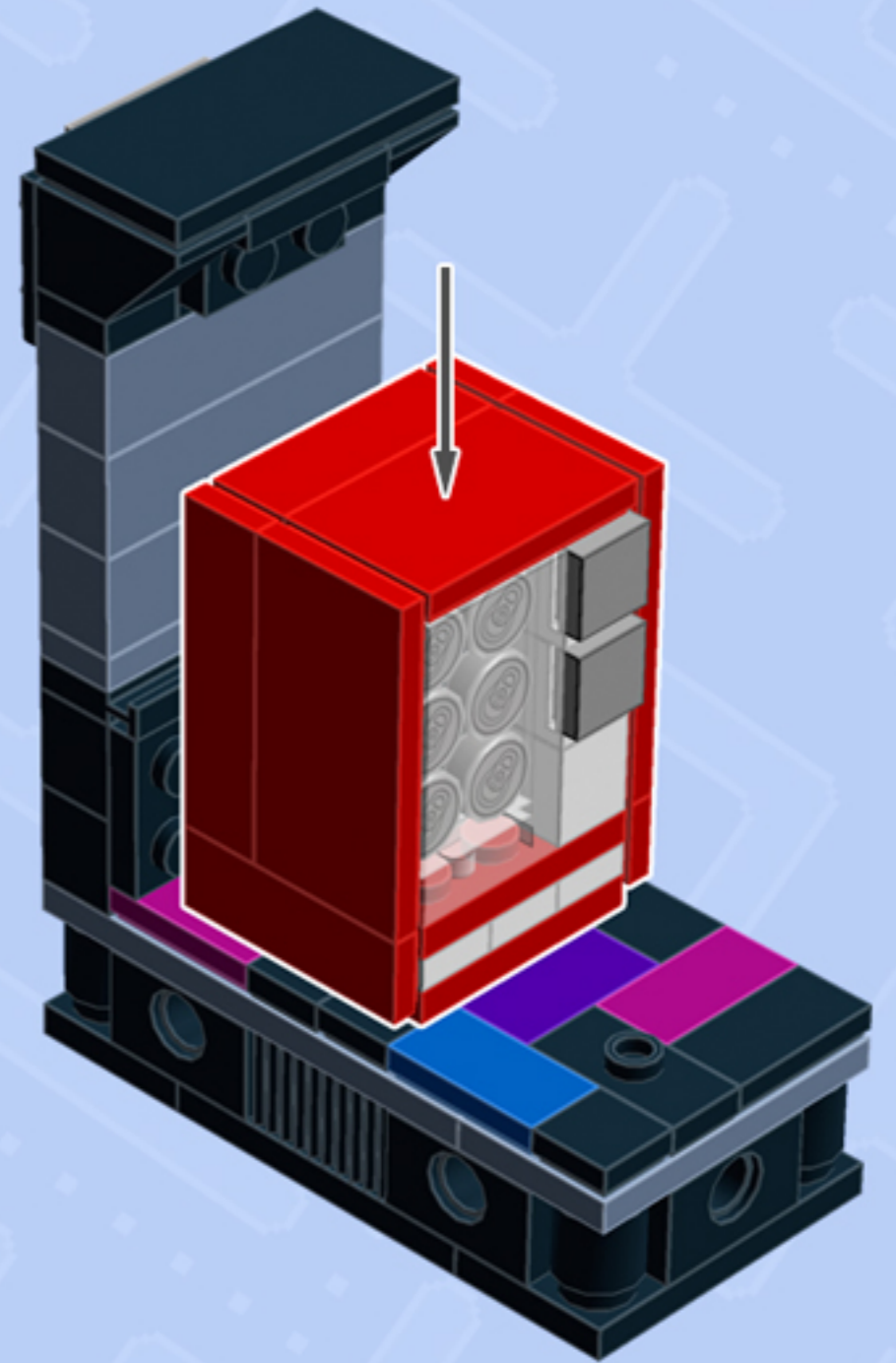
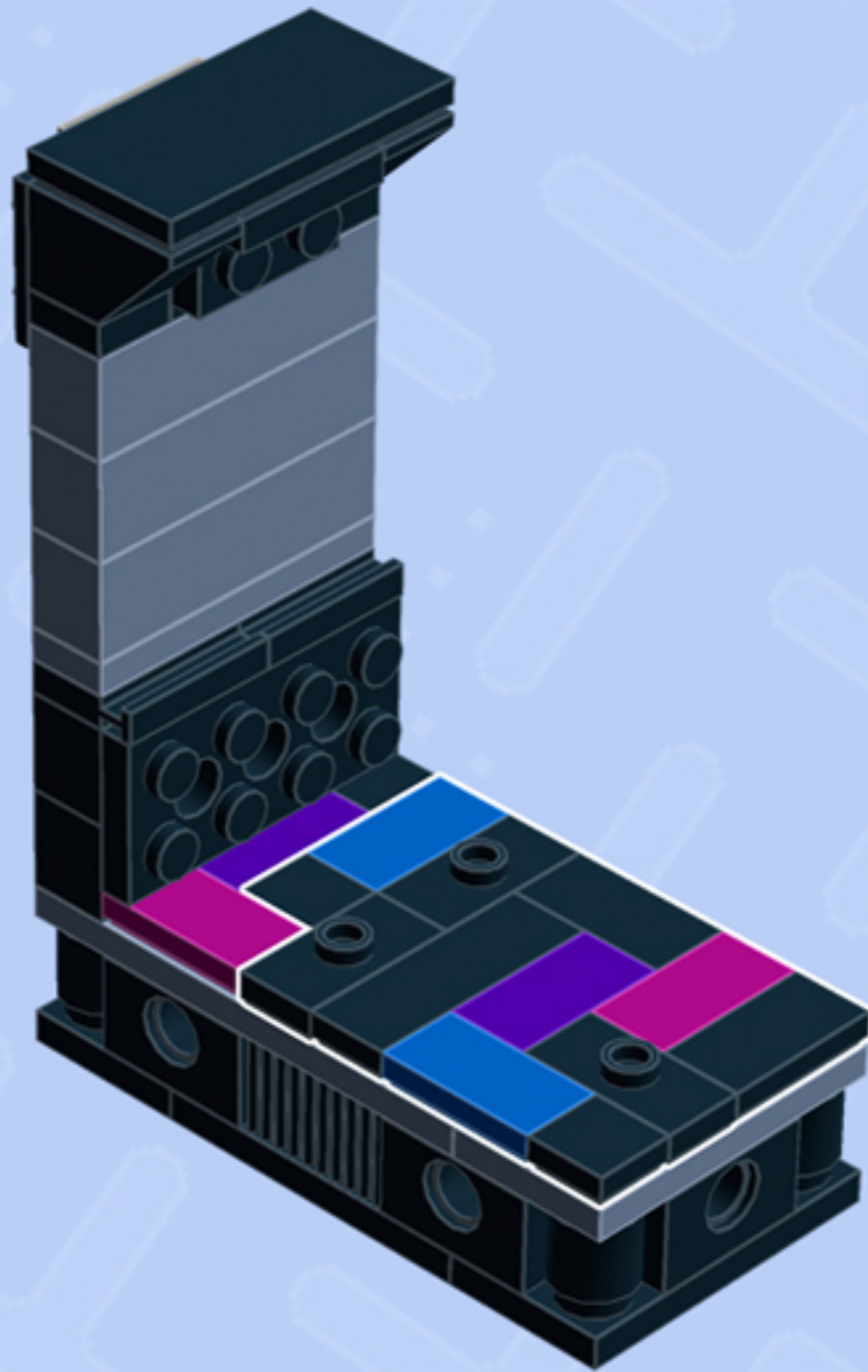
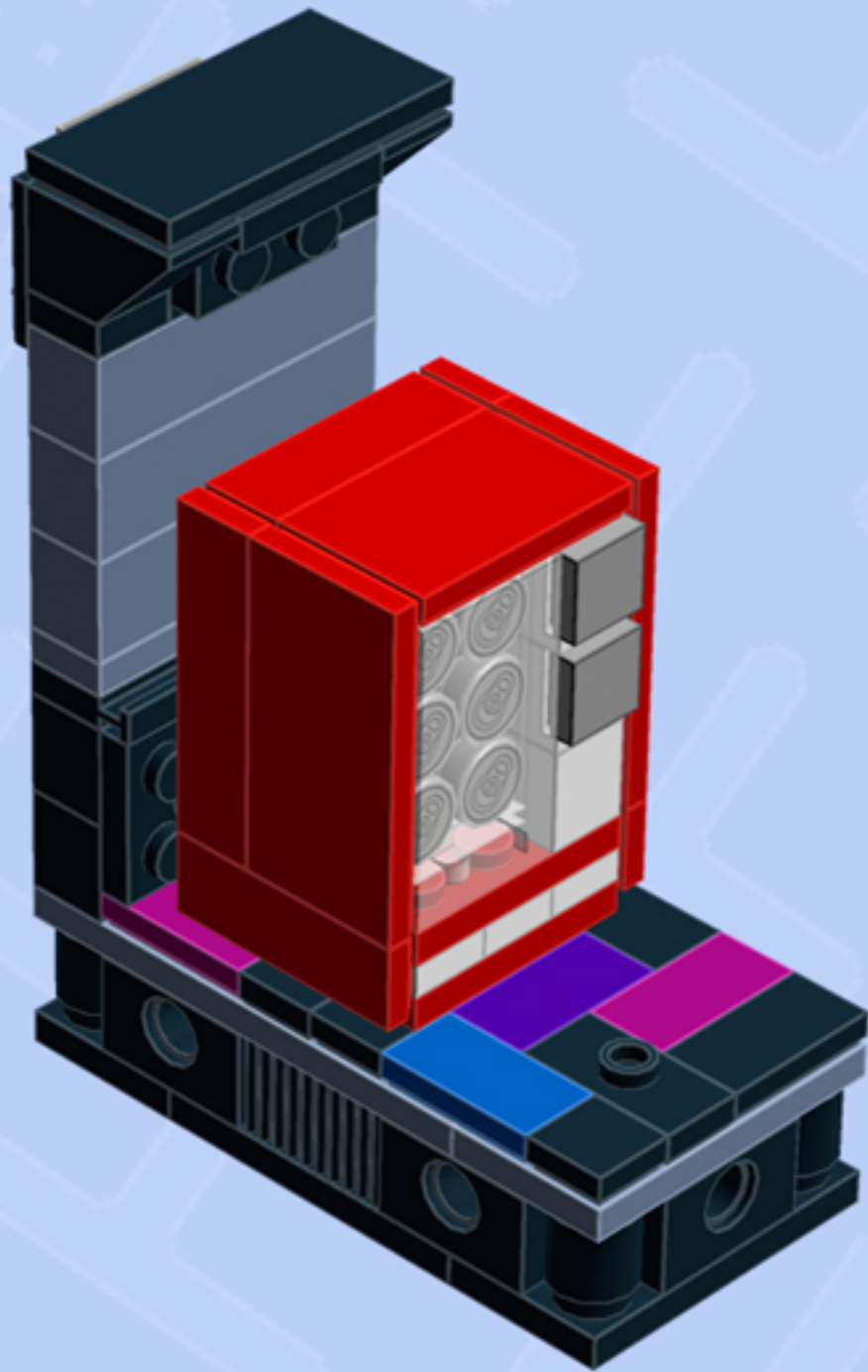








*Connect to Wall Unit 4x8!*



*Wall Unit 4x8 building guide available separately.  
Configure the floor as shown to correctly seat Soda Machine.*



*For more fun builds,  
please stop by [chrismcveigh.com](http://chrismcveigh.com),  
visit me at [facebook.com/c.mcveigh.photos](https://facebook.com/c.mcveigh.photos),  
or follow me on twitter [@actionfigured](https://twitter.com/actionfigured)*

*Purchase custom building kits at [shop.chrismcveigh.com](http://shop.chrismcveigh.com)*

*These building guides are for personal use only. Unauthorized duplication, distribution and/or modification of these guides, in whole or in part, is strictly prohibited. The models contained within these guides are the copyright of Chris McVeigh, unless otherwise stated. Unauthorized reproduction of these models for resale, either in whole or as a building kit, is strictly prohibited.*

**© 2018 CHRIS MCVEIGH**

*LEGO is a registered trademark of The LEGO Group.*

